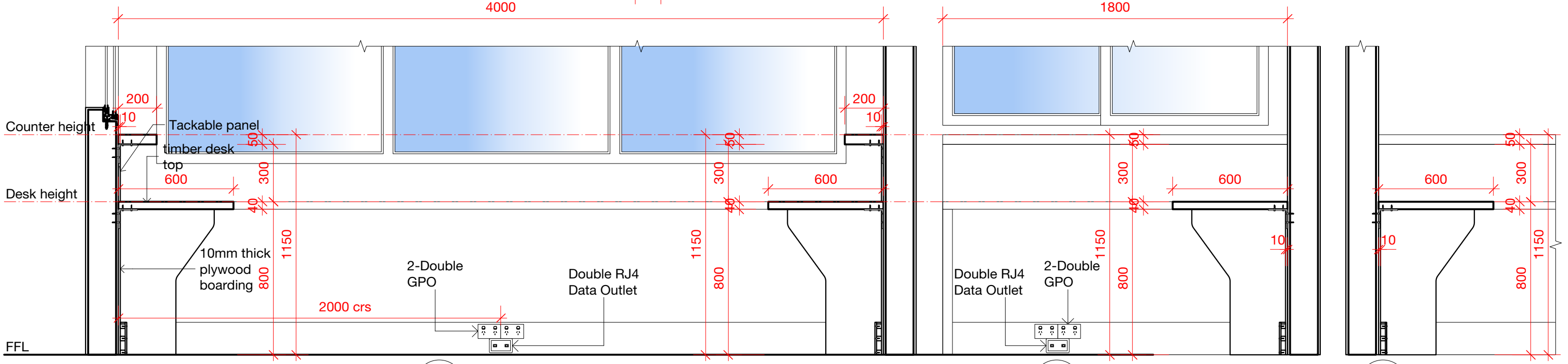


1 **RECEPTION COUNTER PLAN**
SCALE: 1:30

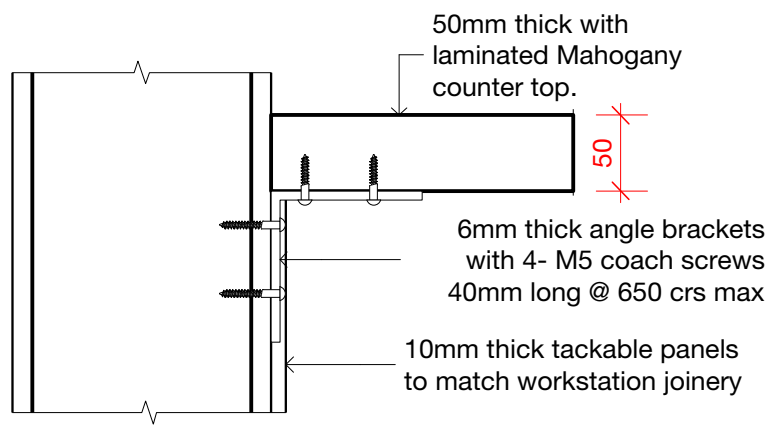


2 **SECTION 1**
SCALE: 1:20

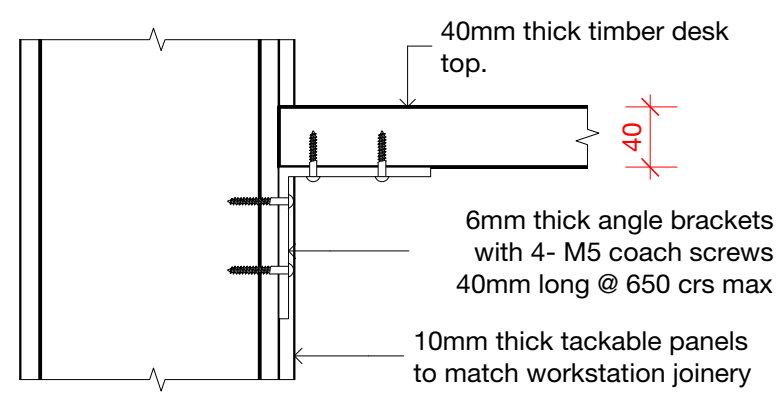
3 **SECTION 2**
SCALE: 1:20

4 **SECTION 3**
SCALE: 1:20

- Note:**
1. All joinery drawings to be read in conjunction architectural drawings.
 2. Joinery to be in timber veneer finish.
 3. Color TBA by Client
 4. All dimensions to be checked on site before any fabrication is done
 5. Joiner is to provide shop drawings to the Architect for approval before any fabrication
 6. Refer to fixtures and finishings schedule for joinery finish and sanitaryware and kitchenware fixtures



5 **TYPICAL COUNTER FIXING DETAIL**
SCALE: 1:5



6 **TYPICAL DESK FIXING DETAIL**
SCALE: 1:5



TENDER ISSUE
conway architects
Architects + Master Planning



Shri Singh & Associates Limited
Consulting Building, Civil & Structural Engineers

LTA KARAVI
WEIGHBRIDGE STATION- BA
RECEPTION COUNTER JOINERY
SCALE: AS SHOWN
24TH MAY 2019
AR-LTA-600