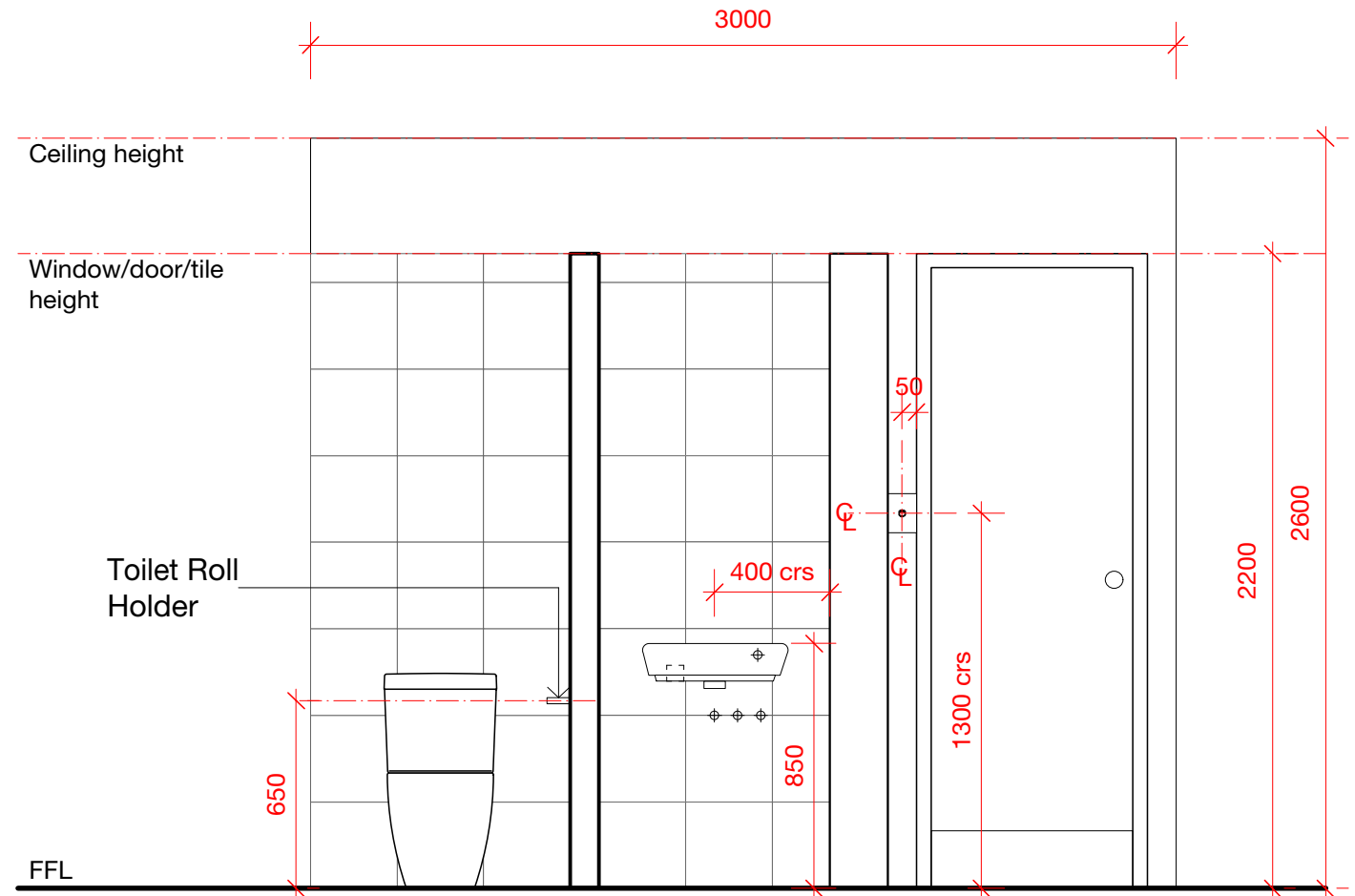
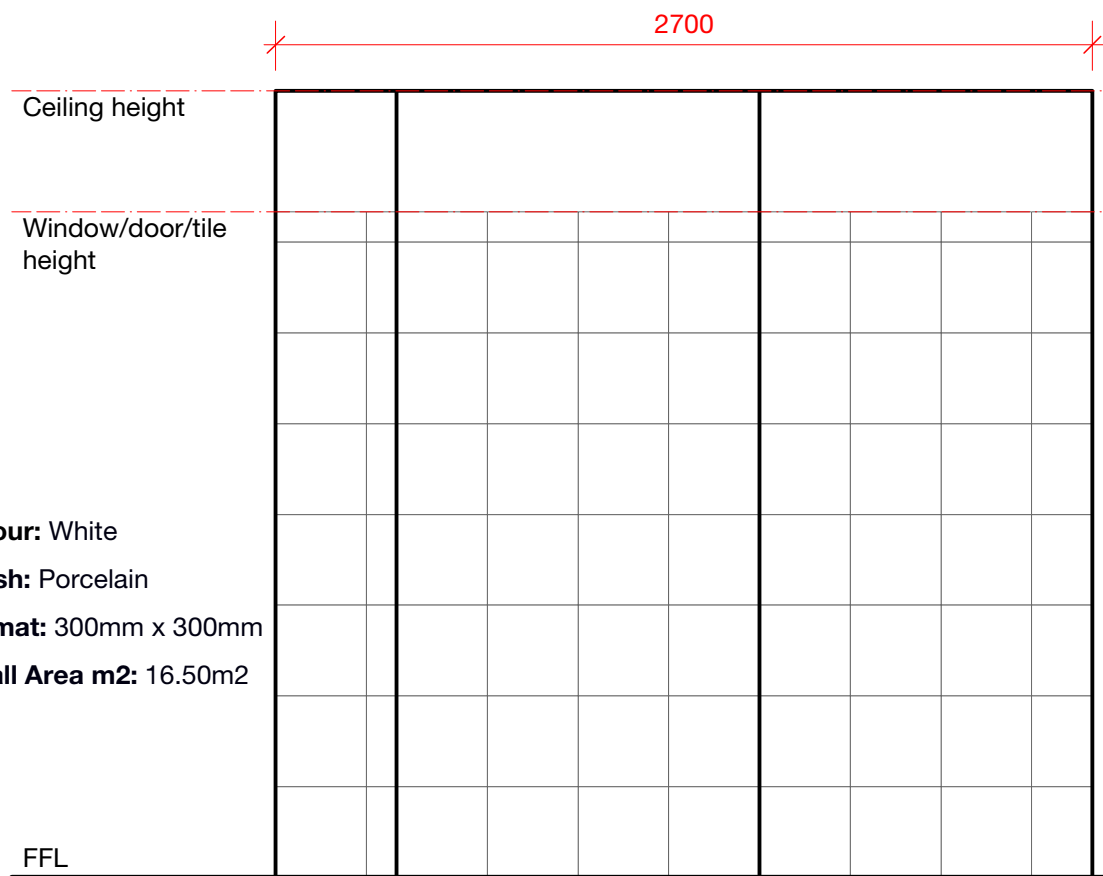


MALE WC FLOOR PLAN



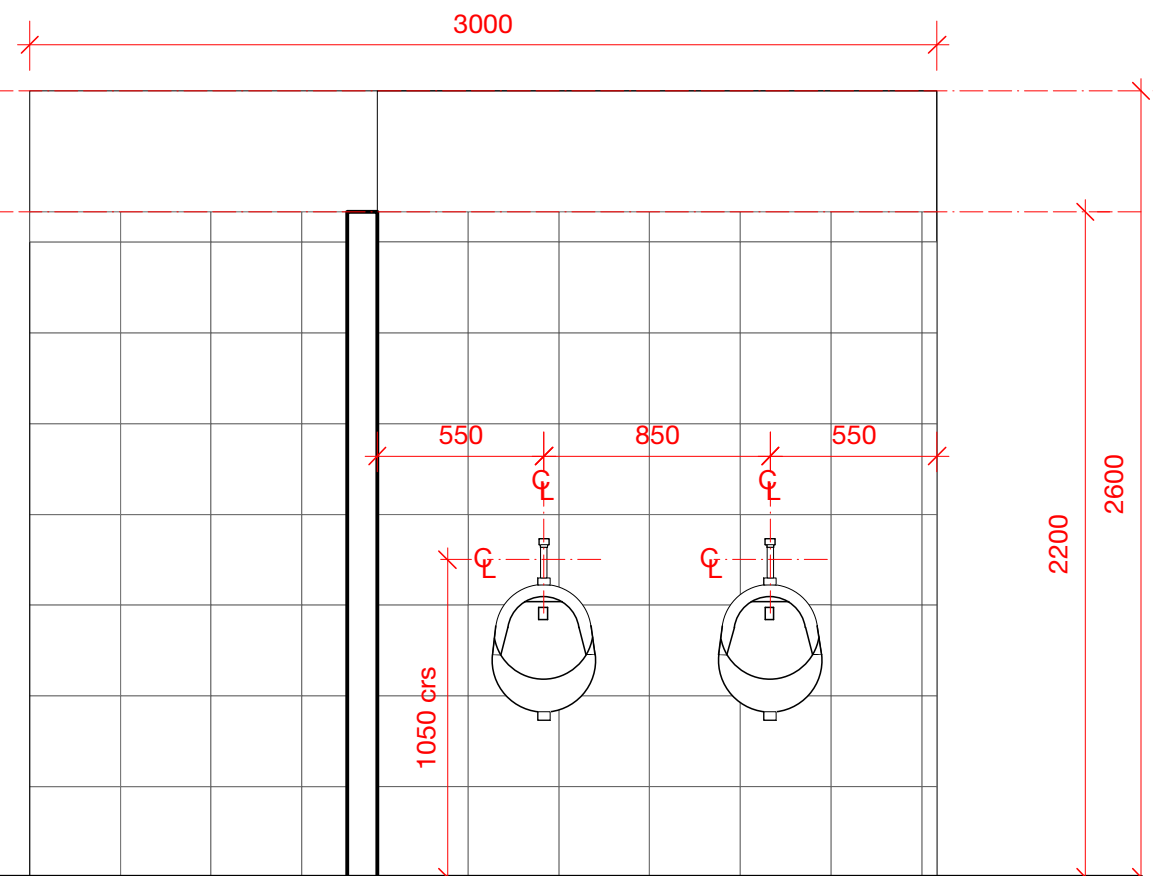
ELEVATION 1

Note:
1. For all joinery, sanitary fixtures and fittings refer to finishing and fittings schedule
2. 50mm drop down into showers



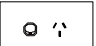
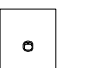
ELEVATION 2

Tile Colour: White
Tile Finish: Porcelain
Tile Format: 300mm x 300mm
Tiled Wall Area m2: 16.50m2



ELEVATION 3

Legend:

-  Single GPO
-  Oneway light switch panel



TENDER ISSUE
conway architects
Architects + Master Planning

LTA KARAVI
WEIGHBRIDGE STATION- BA
MALE WC FLOOR PLAN & WALL
ELEVATIONS 1-3
SCALE 1:20
18TH JUNE 2019
AR-LTA-701



Shri Singh & Associates Limited
Consulting Building, Civil & Structural Engineers