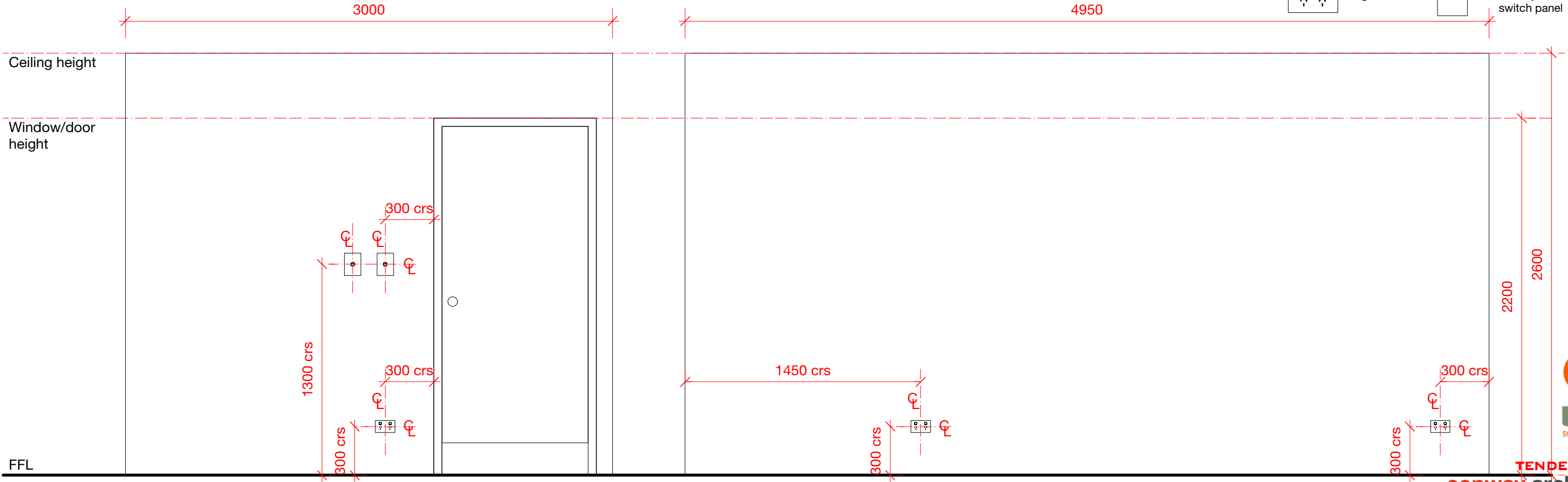
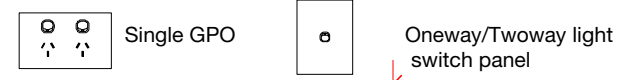


ELEVATION 5

ELEVATION 6

Legend:



ELEVATION 7

ELEVATION 8

Note:
1. For all joinery, sanitary fixtures and fittings refer to finishing and fittings schedule
2. Refer to joinery drawings for joinery details



TENDER ISSUE
conway architects
Architects + Master Planning