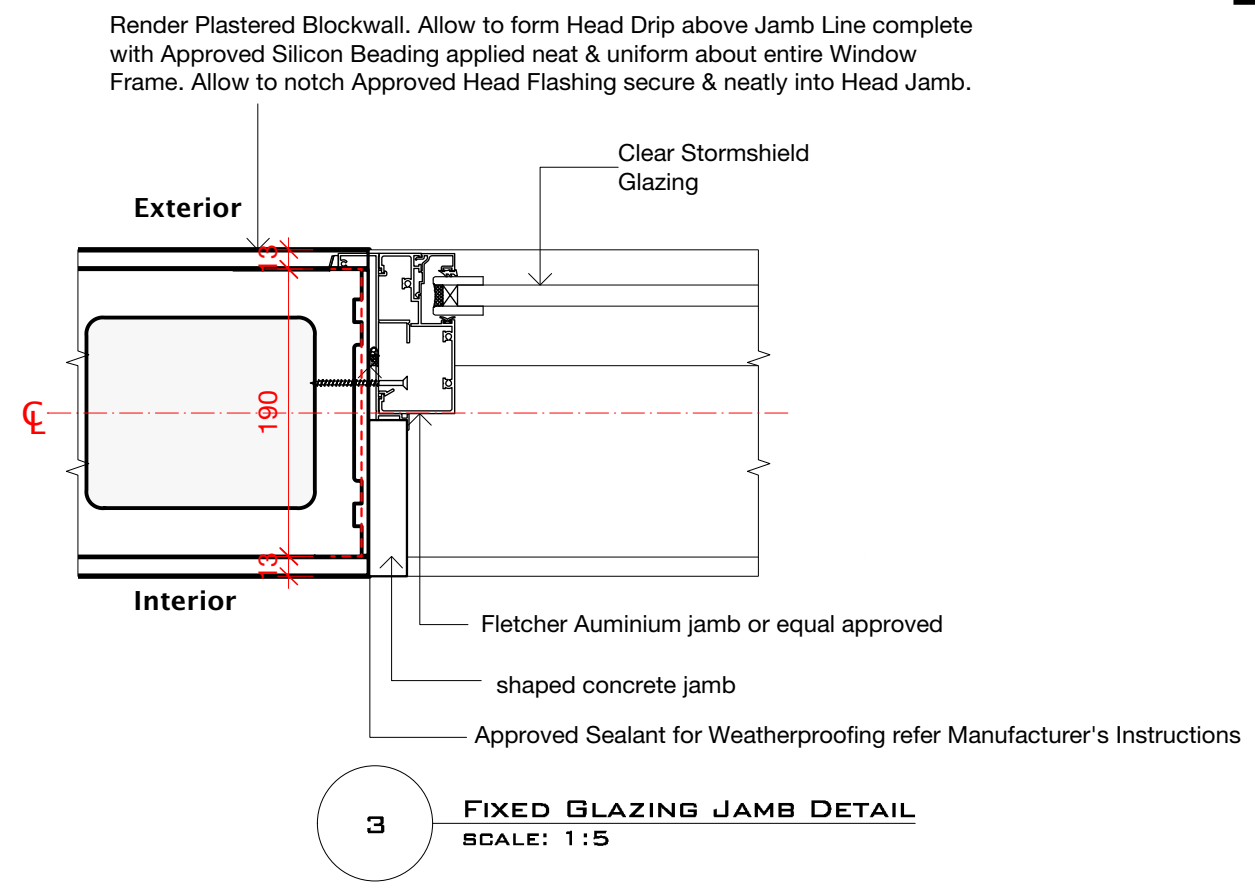
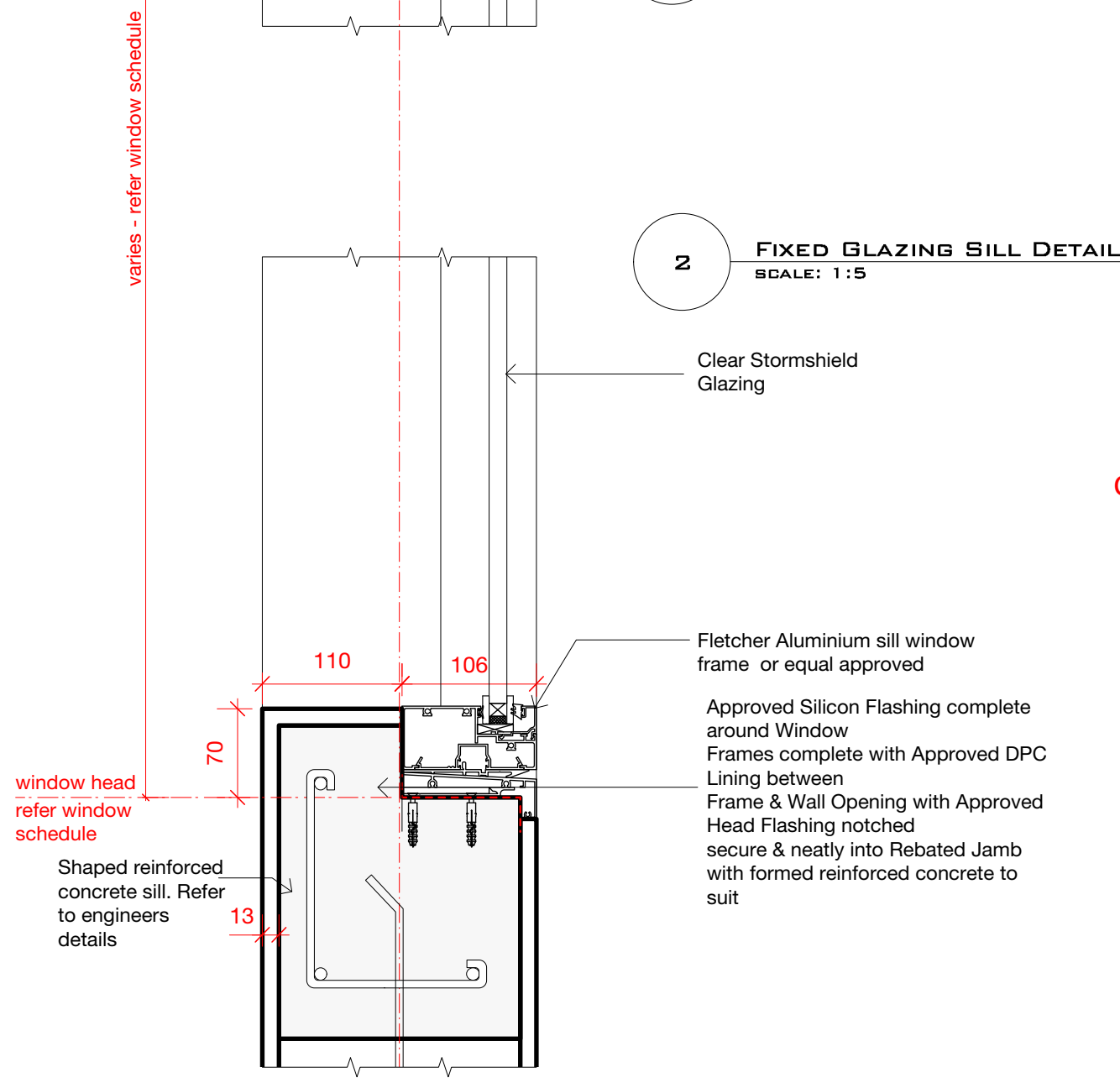


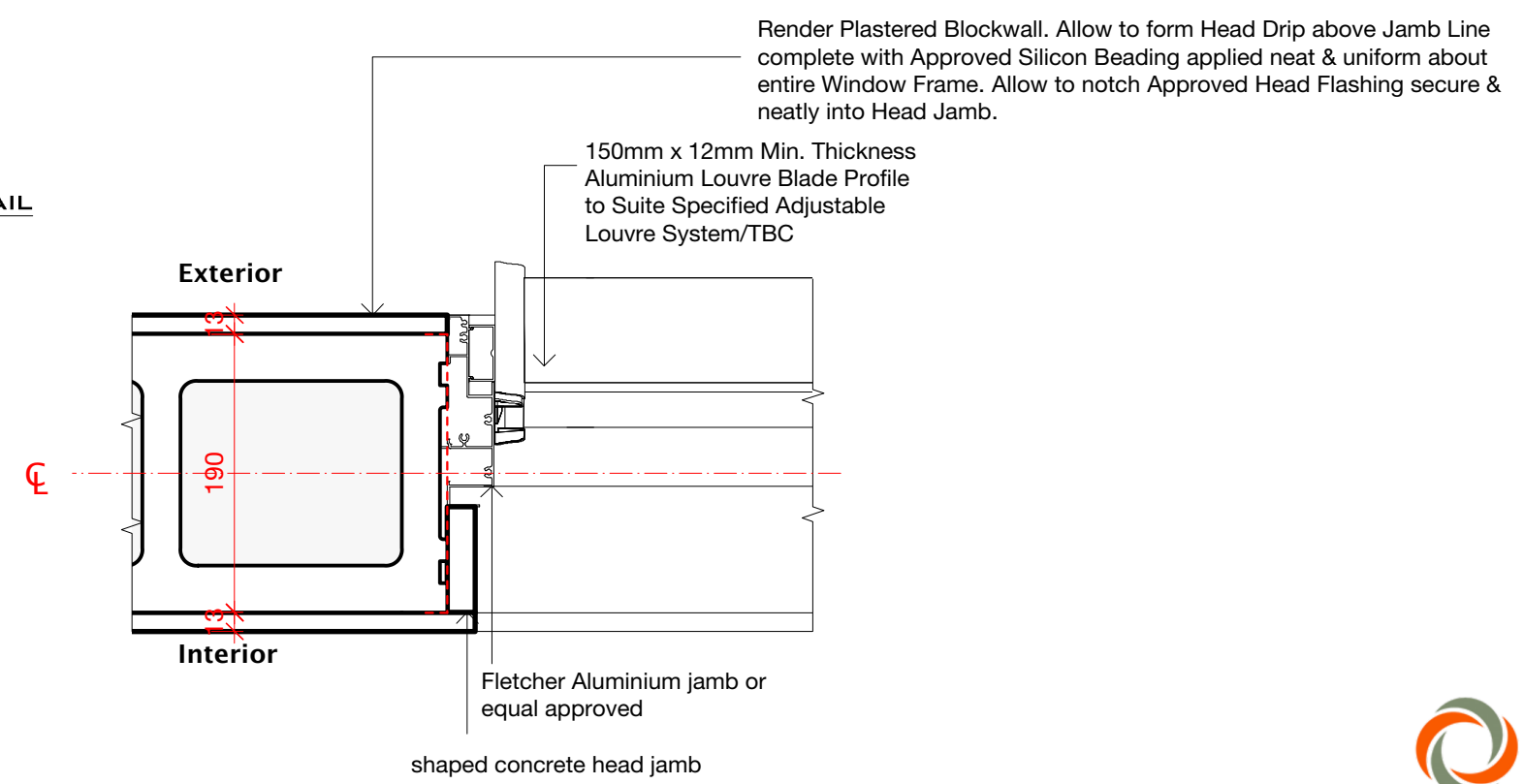
1 **FIXED GLAZING HEAD DETAIL**
SCALE: 1:5



3 **FIXED GLAZING JAMB DETAIL**
SCALE: 1:5



2 **FIXED GLAZING SILL DETAIL**
SCALE: 1:5



4 **LOUVERED WINDOW JAMB DETAIL**
SCALE: 1:5

varies - refer window schedule

window head refer window schedule

window head refer window schedule



TENDER ISSUE
conway architects

Architects + Master Planning
LTA KARAVI
WEIGHBRIDGE STATION- BA
WINDOW DETAIL 2
SCALE 1:10
24TH JANUARY 2019
AR-LTA-809

