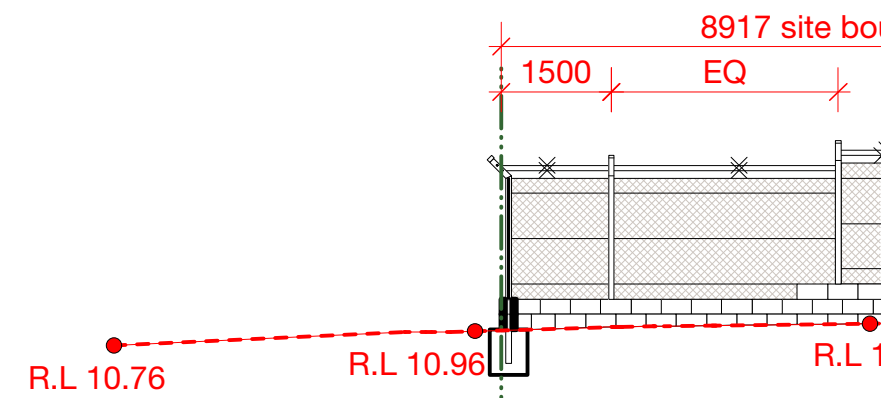
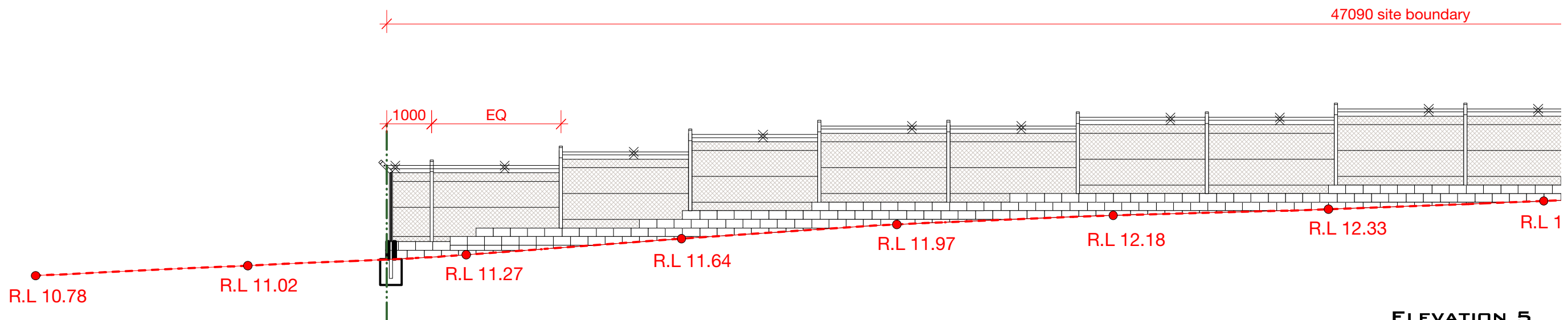


**ELEVATION 3**



**ELEVATION 4**



**ELEVATION 5**

**CHAINLINK FENCE BUILD UP**

2 rows of 200mm thick reinforced fully grouted blockwork wall. Render plastered on both faces as per structural engineer's detail.

75mm diameter galvanised steel posts at 3m centres with PVC post capping.

1.6m high 12 gauge chainlink fence between posts with 2 rows of barbwire

**Legend:**

--- Existing GL & RLs

— Proposed GL & RLs