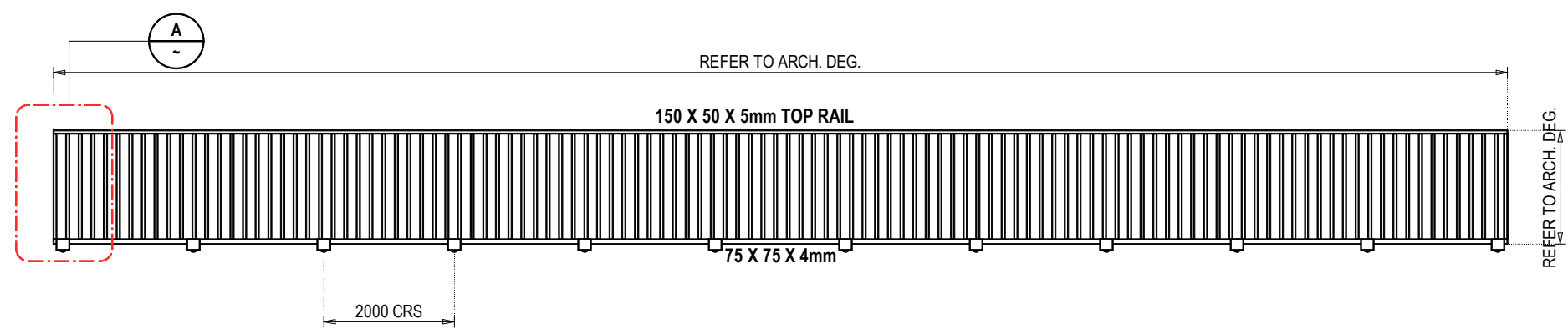
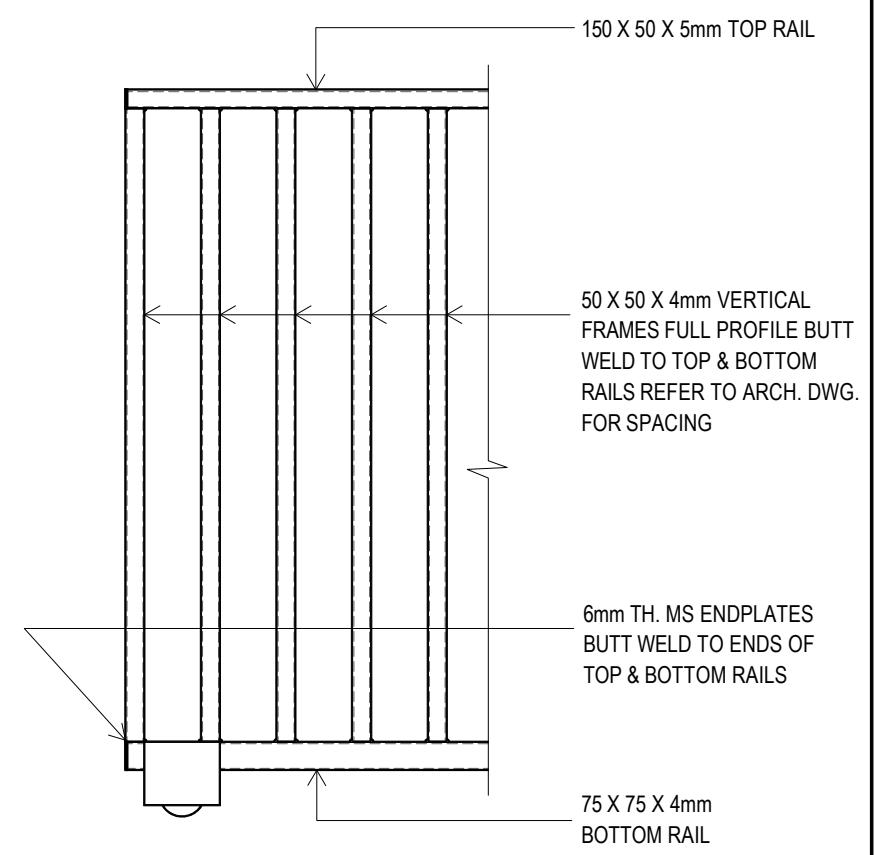


1 SITE PLAN - PART OF
1:250 @ A3



2 TYPICAL GATE FRAME ELEVATION
1:100 @ A3

- NOTES**
- REFER TO ARCH DWG FOR EXACT LOCATION OF POSTS FOR SLIDING GATE SUPPORT
 - REFER TO ARCH. DWG FOR LOCATION OF SLIDING GATE



A ENLARGED GATE FRAME DETAIL
1:20 @ A3

Copyright reserved in all drawings and the work executed from them. Figured dimensions shall be read in preference. Largest scaled drawings shall take precedence. Check all dimensions on site. All discrepancies shall be reported to the ENGINEER immediately

SHEET TITLE:
ARCHITECTURAL SITE PLAN-PART OF

REV.	NOTES	DATE
A	Tender Issue	04-07-19

PROJECT:
LTA KARAVI WEIGH BRIDGE STATION KINGS RD, BA, FIJI SILANDS



CLIENT:
conway architects
Architects + Master Planning



SERVICES ENGINEER:
SHRI SINGH & ASSOCIATES LTD
4 Ackland Street
Vatuvuwa Ind. Sub-Divn
P.O. Box 122798 Suva Fiji
Phone : (679) 396 532
Fax : (679) 370 481
E-Mail : james@ssal.com.fj

date : DEC. 2018
scale : 1:250
drawn : Loji
design : J.K.R.

Job No: 9573
Sheet No: **C 400**
Rev. A