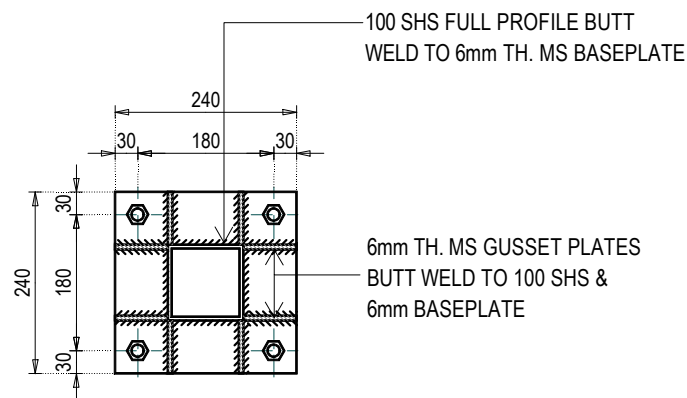
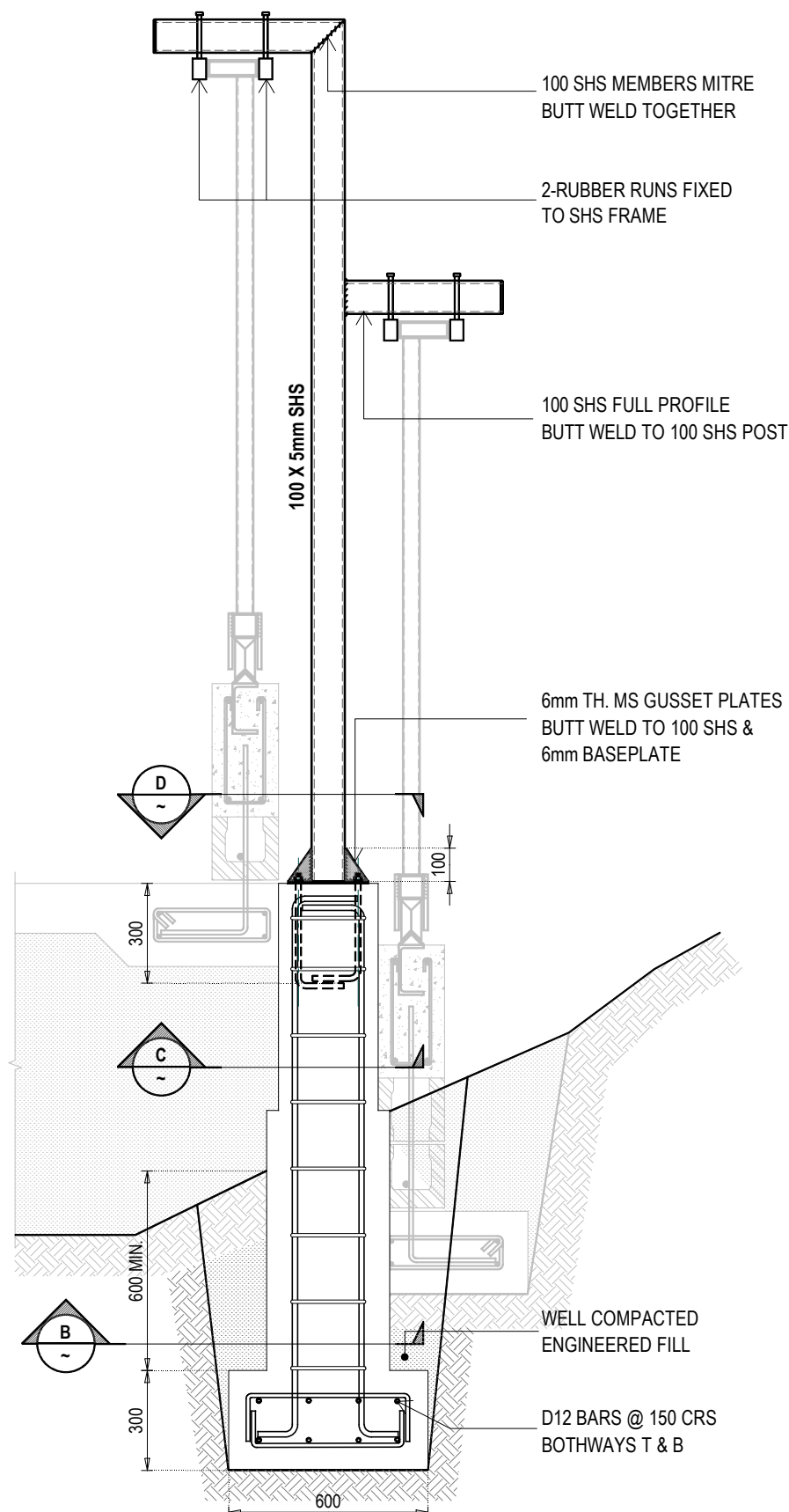


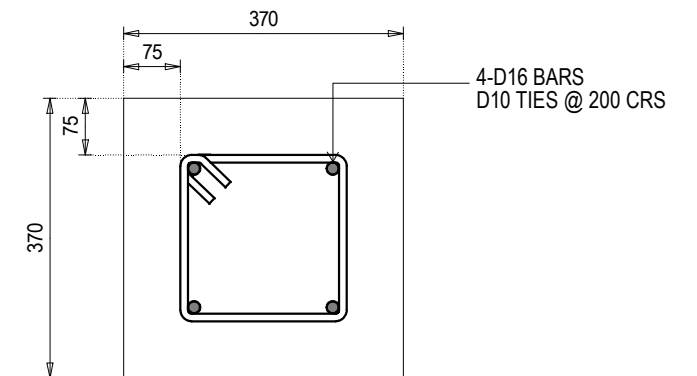
P1 PAD ELEVATION DETAIL
C 400 1:10 @ A3



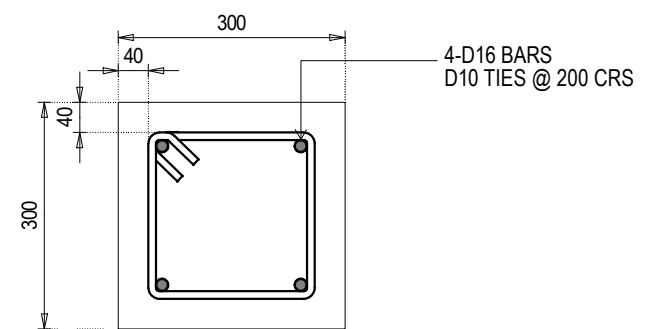
D PAD ELEVATION DETAIL
C 400 1:10 @ A3



A PAD ELEVATION DETAIL
1:20 @ A3



B COLUMN SECTION DETAIL
1:20 @ A3



C COLUMN SECTION DETAIL
1:20 @ A3

Copyright reserved in all drawings and the work executed from them. Figured dimensions shall be read in preference. Largest scaled drawings shall take precedence. Check all dimensions on site. All discrepancies shall be reported to the ENGINEER immediately

SHEET TITLE:
SLIDING GATE DETAILS

REV.	NOTES	DATE
A	Tender Issue	04-07-19

PROJECT:
LTA KARAVI WEIGH BRIDGE STATION
KINGS ROAD, BA, FIJI ISLANDS



ARCHITECT:
conway architects
Architects + Master Planning



STRUCTURAL ENGINEER:
SHRI SINGH & ASSOCIATES LTD
4 Ackland Street, Votuwaga Ind. Sub-Divn, P.O. Box 12709 Suva, Fiji. Phone: (679) 396 532, Fax: (679) 370 481, E-Mail: james@ssal.com.fj
Consulting Building & Civil Engineers

date : DEC. 2018
scale : As Shown
drawn : Loji
design : J.K.R.

Job No: 9573
Sheet No: **C 401**
Rev. A