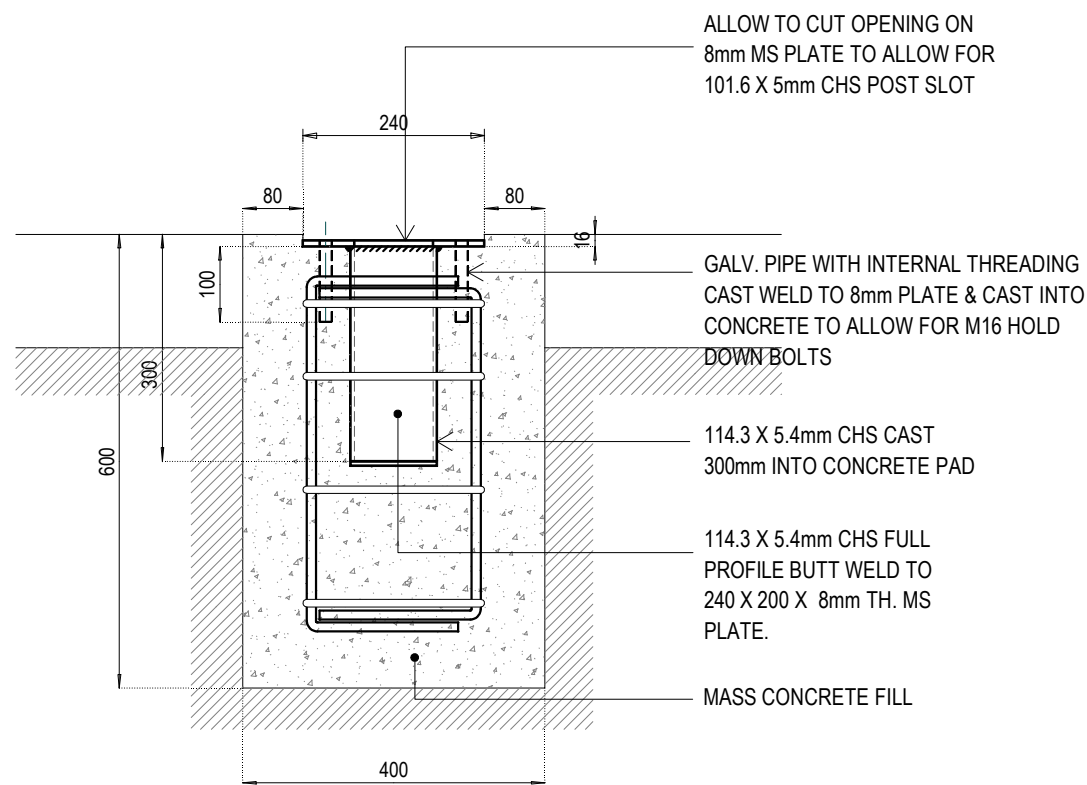
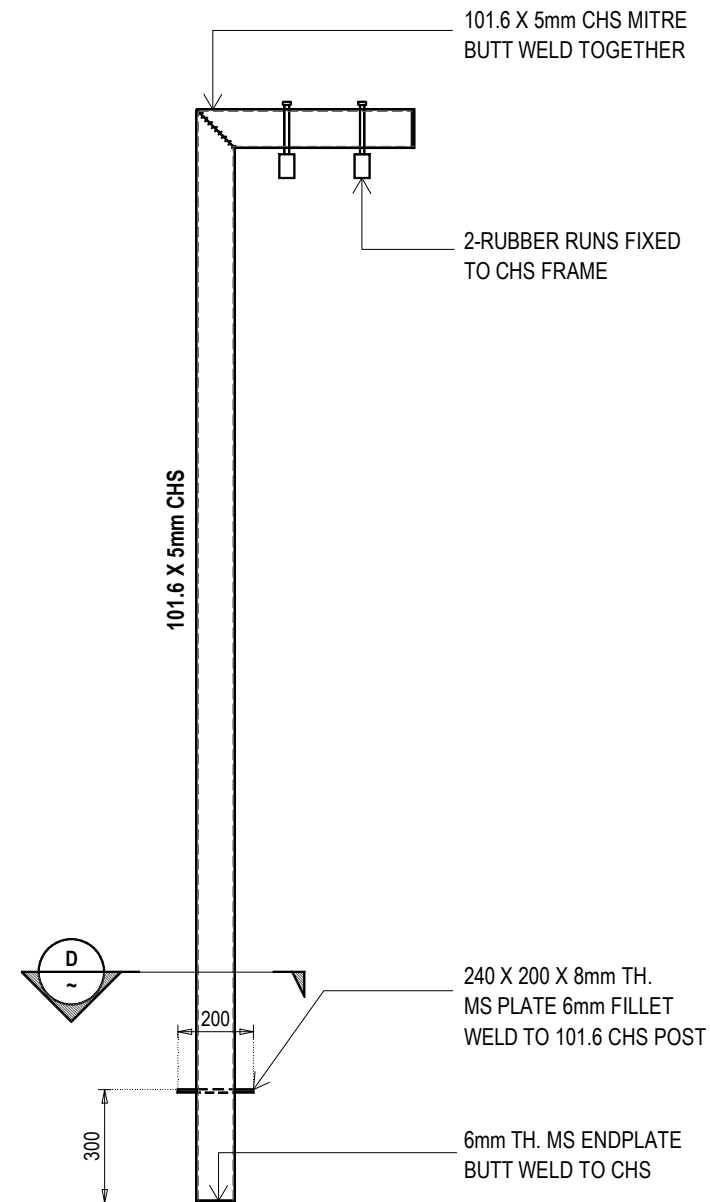


P2 PAD ELEVATION DETAIL
1:10 @ A3

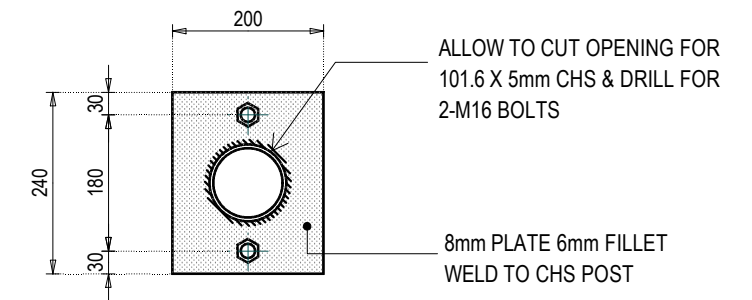
NOTE
CONTRACTORS TO ENSURE THAT STEEL PLATES FOR POST AND COVER ARE ALIGNED WITH THE DRIVEWAY



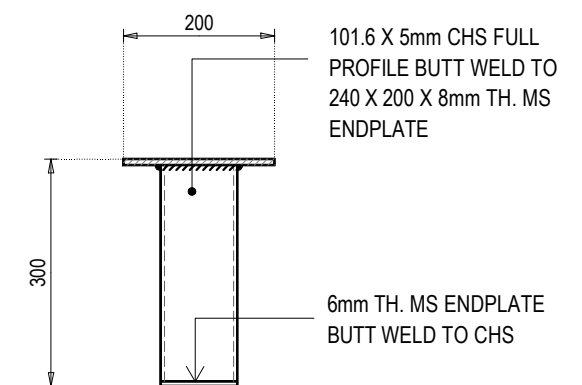
A PAD ELEVATION DETAIL
1:10 @ A3



B SLIDING GATE GUIDE POST DETAIL
1:20 @ A3



D PLATE DETAIL
1:10 @ A3



C POST SLOT CAPPING DETAIL
1:20 @ A3

Copyright reserved in all drawings and the work executed from them. Figured dimensions shall be read in preference. Largest scaled drawings shall take precedence. Check all dimensions on site. All discrepancies shall be reported to the ENGINEER immediately

SHEET TITLE:
SLIDING GATE DETAILS

REV.	NOTES	DATE
A	Tender Issue	04-07-19

PROJECT:
LTA KARAVI
WEIGH BRIDGE STATION
KINGS ROAD, BA, FIJI ISLANDS



ARCHITECT:
conway architects
Architects + Master Planning



STRUCTURAL ENGINEER:
SHRI SINGH & ASSOCIATES LTD
4 Ackland Street
Vatuvuwa Ind. Sub-Divn
P.O. Box 12709 Suva Fiji
Phone : (679) 396 532
Fax : (679) 370 481
E-Mail : james@ssal.com.fj
Consulting Building & Civil Engineers

date : DEC. 2018
scale : As Shown
drawn : Loji
design : J.K.R.

Job No: 9573
Sheet No: **C 403**
Rev. A