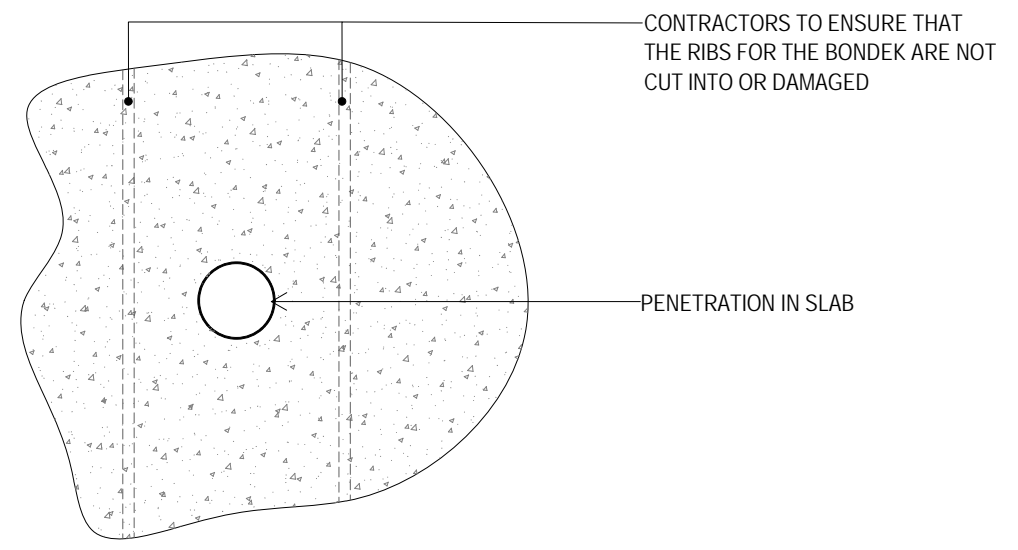


A
S 300 **SLAB SECTION DETAIL**
1:10 @ A3

B
S 300 **SLAB SECTION DETAIL**
1:10 @ A3



C
~ **SLAB PENETRATION DETAIL**
NTS

Copyright reserved in all drawings and the work executed from them. Figured dimensions shall be read in preference. Largest scaled drawings shall take precedence. Check all dimensions on site. All discrepancies shall be reported to the ENGINEER immediately

SHEET TITLE:
SLAB SECTION DETAILS

REV.	NOTES	DATE
B	Draft Tender Issue	29-01-19
C	Building Permit Issue	08-03-19
D	Tender Issue	24-05-19

PROJECT:
**LTA KARAVI
WEIGH BRIDGE STATION
KINGS ROAD, BA, FIJI ISLANDS**



CLIENT:
conway architects
Architects + Master Planning



SERVICES ENGINEER:
SHRI SINGH & ASSOCIATES LTD
4 Ackland Street
Valuwaqa Ind. Sub-Divn
Suva, FIJI ISLANDS
P.O. Box 12 700 Suva Fiji
Phone : (679) 386 532
Fax : (679) 370 481
E-Mail : james@ssai.com.fj
Consulting Building & Civil Engineers

date : DEC. 2018
scale : As Shown
drawn : Loji
design : J.K.R.

Job No: 9573
Sheet No: **S 302**
Rev. A B C D