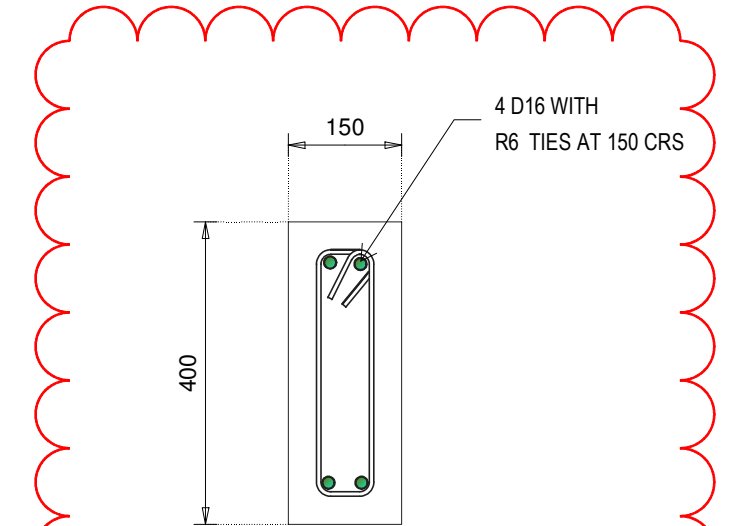
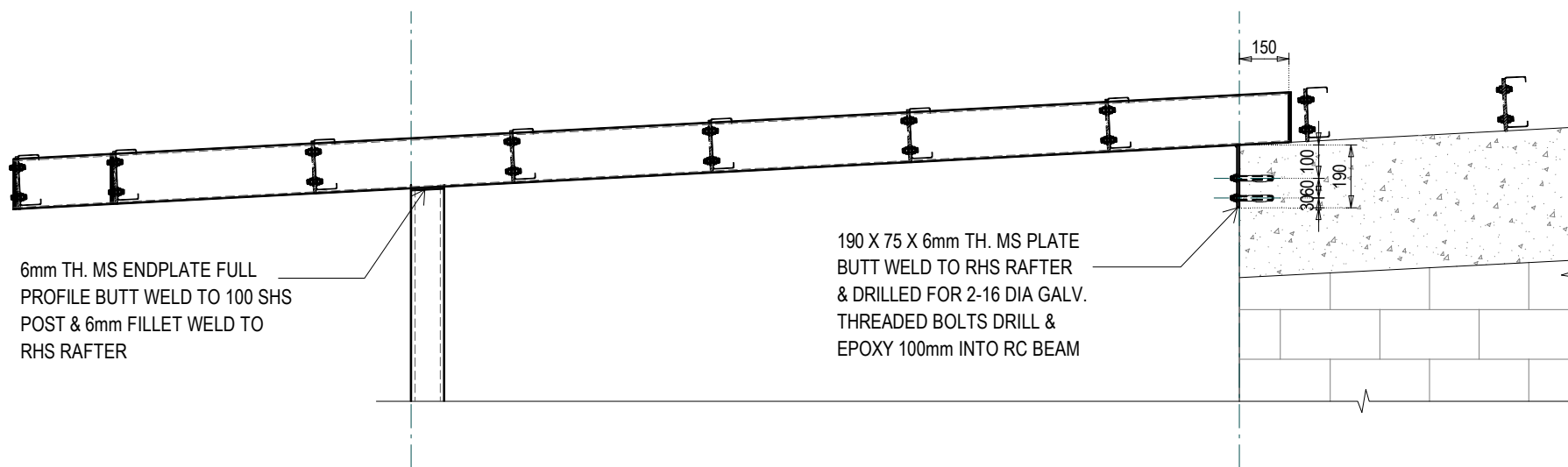


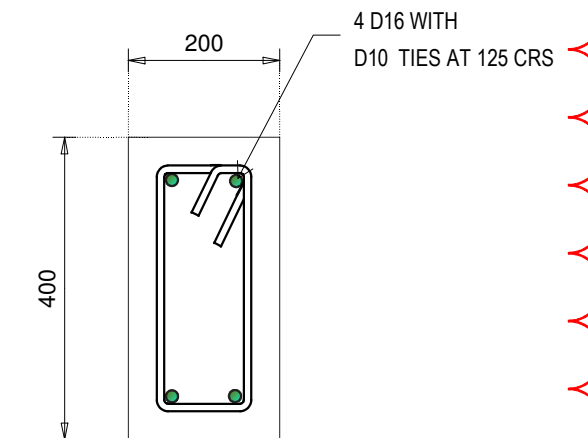
1 ROOF FRAMING DETAIL
1:10 @ A3



RB 1 ROOF BEAM DETAIL
1:10 @ A3



2 ROOF SECTION DETAIL
S 400 1:20 @ A3



RB 2 ROOF BEAM DETAIL
1:10 @ A3

Copyright reserved in all drawings and the work executed from them. Figured dimensions shall be read in preference. Largest scaled drawings shall take precedence. Check all dimensions on site. All discrepancies shall be reported to the ENGINEER immediately

SHEET TITLE:
ROOF FRAMING DETAILS

REV.	NOTES	DATE
C	Buiding Permit Issue	08-03-19
D	Tender Issue	24-05-19
E	Revised Tender Issue	21-06-19

PROJECT:
LTA KARAVI WEIGH BRIDGE STATION
KINGS ROAD, BA, FIJI ISLANDS



CLIENT:
conway architects
Architects + Master Planning



SERVICES ENGINEER:
SHRI SINGH & ASSOCIATES LTD
4 Ackland Street
Vatukawa Indl. Sub-Divn
P.O. Box 12798 Suva Fiji
Phone : (679) 396 532
Fax : (679) 370 481
E-Mail : james@ssaf.com.fj
Consulting Building & Civil Engineers

date : DEC. 2018
scale : As Shown
drawn : Loji
design : J.K.R.

Job No: 9573
Sheet No: **S 401**
Rev. C D E