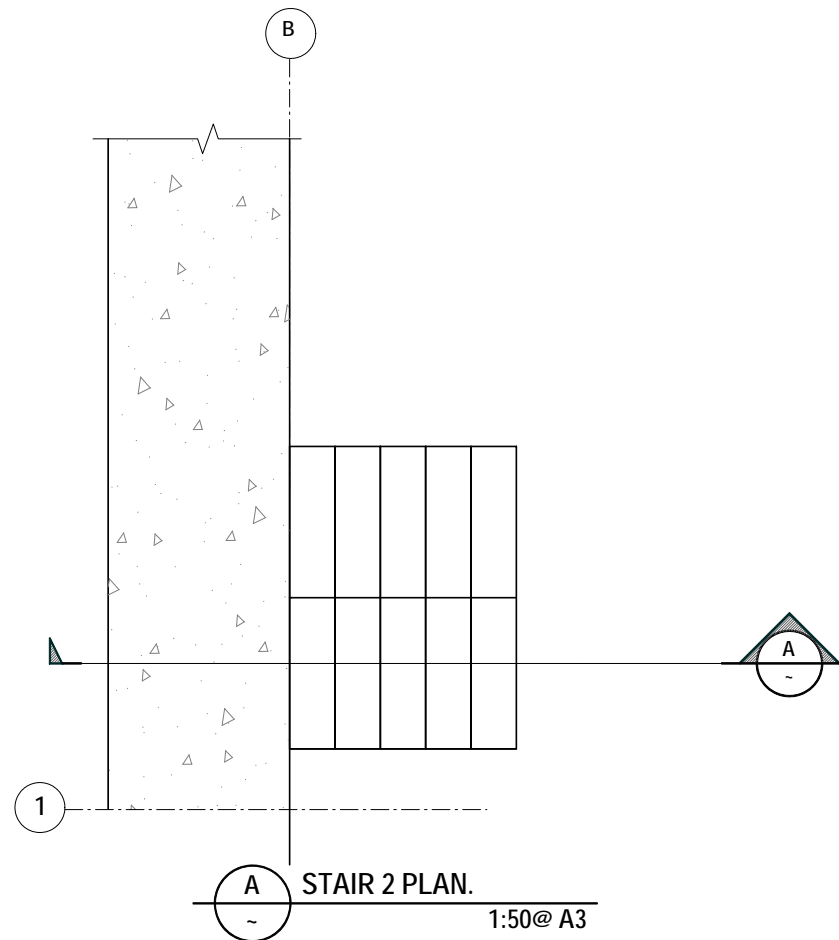
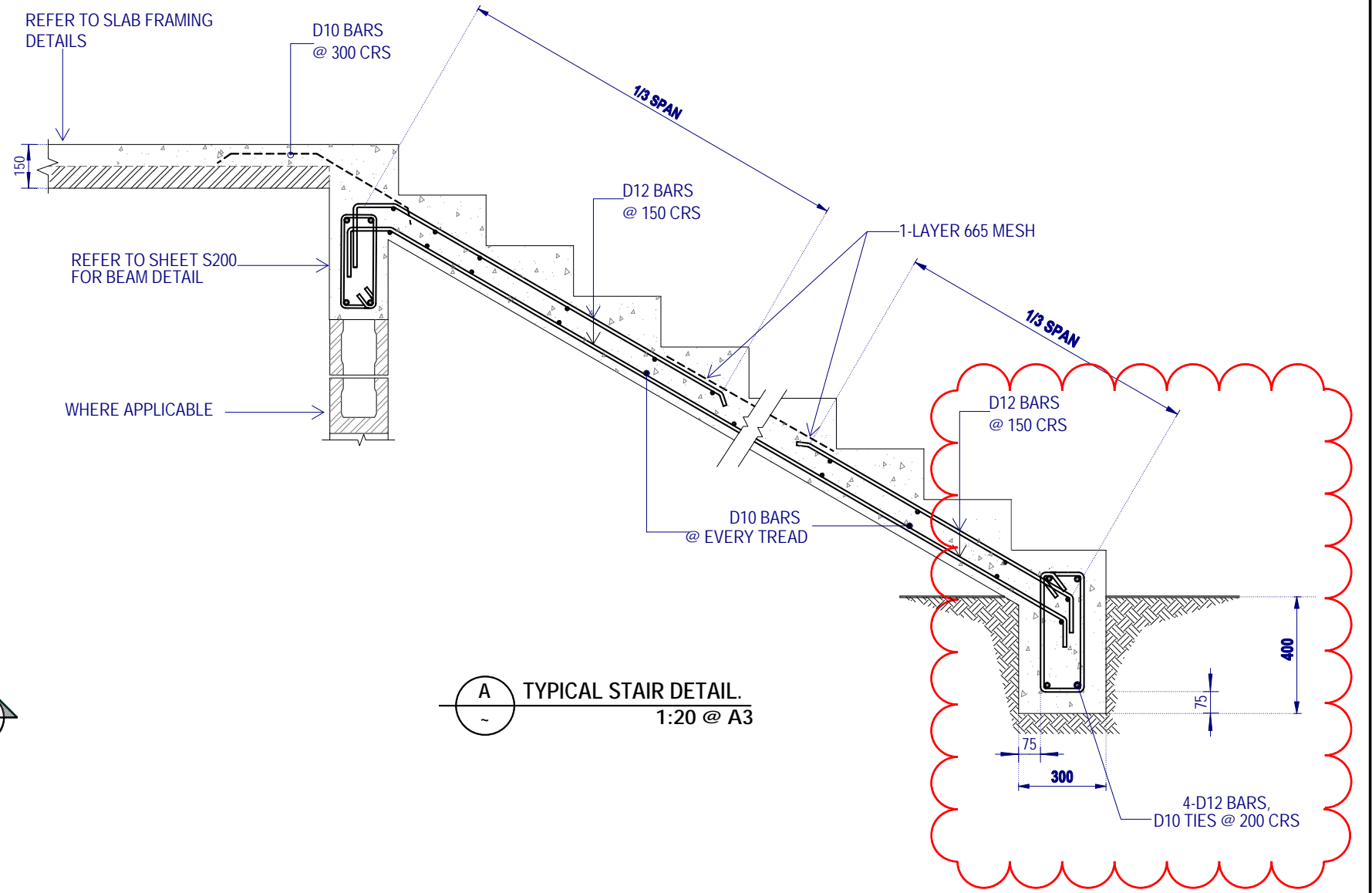


A STAIR 1 PLAN
1:50 @ A3



A STAIR 2 PLAN.
1:50 @ A3



A TYPICAL STAIR DETAIL.
1:20 @ A3

Copyright reserved in all drawings and the work executed from them. Figured dimensions shall be read in preference. Largest scaled drawings shall take precedence. Check all dimensions on site. All discrepancies shall be reported to the ENGINEER immediately

SHEET TITLE:
WALL FRAMING ELEVATIONS

REV.	NOTES	DATE
A	Preliminary Issue	12-12-18
B	Tender Issue	28-01-19
C	Revised Tender Issue	19-06-19

PROJECT:
LTA KARAVI WEIGH BRIDGE STATION
KINGS ROAD, BA, FIJI ISLANDS



ARCHITECT:
conway architects
Architects + Master Planning



STRUCTURAL ENGINEER:
SHRI SINGH & ASSOCIATES LTD
4 Ackland Street
Valuwaqa Ind. Sub-Divn
P.O. Box 122 700 Suva Fiji
Phone : (679) 386 532
Fax : (679) 370 481
E-Mail : james@ssal.com.fj
Consulting Building & Civil Engineers

date : DEC. 2018
scale : As Shown
drawn : JIM
design : J.K.R.

Job No: 9573
Sheet No: **S 700**
Rev. A B C