

7835 SECURITY SERVICES SCHEDULE OF DRAWINGS		
DWG#:	SHEET TITLE	SCALE
S01	SCHEDULE OF DRAWINGS / LEGENDS / ABBREVIATIONS / SPECIFICATION / LOCALITY PLAN	NTS
S02	PROPOSED SITE PLAN CCTV CAMERA LAYOUTS	1 : 250 @ A3
S03	PROPOSED GROUND FLOOR PLAN CCTV CAMERA & ACCESS CONTROL LAYOUTS	1 : 100 @ A3
S04	PROPOSED SECURITY SCHEMATICS & DETAILS	NTS

CCTV SURVEILLANCE LEGENDS	
SYMBOLS	DESCRIPTIONS
	32" MONITORING SCREEN
	12-CHANNEL NETWORK VIDEO RECORDER
	8MP OUTDOOR WEATHERPROOF & VANDAL RESISTANT WIDE ANGLE DOME IP CAMERA
	2MP INDOOR WIDE ANGLE DOME IP CAMERA

SECURITY WIREWORK LEGEND	
LINETYPE	DESCRIPTIONS
	PROPOSED CAT6-UTP WIREWORK (INDICATIVE ONLY) - UNDER SLAB / FLOOR / GROUND
	PROPOSED CAT6-UTP WIREWORK (INDICATIVE ONLY) - IN WALL
	PROPOSED CAT6-UTP WIREWORK (INDICATIVE ONLY) - IN CEILING / HIGH LEVEL
	PROPOSED CAT5e-UTP WIREWORK (INDICATIVE ONLY) - UNDER SLAB / FLOOR / GROUND
	PROPOSED CAT5e-UTP WIREWORK (INDICATIVE ONLY) - IN WALL
	PROPOSED CAT5e-UTP WIREWORK (INDICATIVE ONLY) - IN CEILING / HIGH LEVEL
	PROPOSED HDMI WIREWORK (INDICATIVE ONLY) - UNDER SLAB / FLOOR / GROUND
	PROPOSED HDMI WIREWORK (INDICATIVE ONLY) - IN WALL
	PROPOSED HDMI WIREWORK (INDICATIVE ONLY) - IN CEILING / HIGH LEVEL

ACCESS CONTROL LEGENDS	
SYMBOLS	DESCRIPTIONS
	ELECTRONIC BIOMETRIC READER
	DOOR ELECTROMAGNETIC CONTACT - PAIR MOUNTED ON DOOR & WALL
	DOOR PUSH-TO-EXIT BUTTON
	EMERGENCY BREAK-GLASS DOOR RELEASE BUTTON



GOOGLE EARTH - LOCALITY PLAN
NTS

SPECIFICATIONS

A. GENERAL

- THESE DRAWINGS SHALL BE READ IN CONJUNCTION WITH DRAWING NUMBER ELV01 AND THE DESIGN SPECIFICATIONS ISSUED DURING THE COURSE OF THE CONTRACT.
- ALL MATERIALS AND WORKMANSHIP SHALL BE IN ACCORDANCE WITH RELEVANT CODES AND AUTHORITIES HAVING JURISDICTION.
- ALL DIMENSIONS SHOWN SHALL BE VERIFIED ON SITE. ENGINEERS DRAWINGS SHALL NOT BE SCALED. ALL DIMENSIONS NOTED ARE IN MILLIMETERS UNLESS NOTED OTHERWISE.
- PROVIDE ALL NECESSARY PENETRATIONS THROUGH CONCRETE, BRICKWORK AND BUILDING FINISHES TO ACCOMMODATE CONDUITS AND CABLING WORKS. PENETRATIONS SHALL BE SUBMITTED TO THE STRUCTURAL ENGINEER FOR APPROVAL PRIOR TO THEIR CONSTRUCTION. PENETRATIONS REQUIRED THROUGH CONSTRUCTED MATERIALS AND PRECAST SLABS SHALL BE CORE DRILLED. ALL PENETRATIONS ARE TO BE SEALED IN AN APPROVED MANNER.
- APPLY TO THE LOCAL AUTHORITY FOR ALL NECESSARY PERMITS. PAY ALL FEES AND CHARGES.
- CONSTRUCT ALL WORKS IN ACCORDANCE WITH THE FIJI NATIONAL BUILDING CODE.
- MAKE GOOD ALL DAMAGE TO EXISTING CONDITIONS.

B. CABLING WORKS

- ALL CABLING SYSTEM TO BE CONCEALED AND IN ACCORDANCE WITH STANDARD AS/NZS3000.
- SUPPLY AND INSTALL FIRE-PRO PIPE WRAPS B305 & B306 OR EQUAL APPROVED PENETRATION SEAL FOR ALL PENETRATIONS (INCLUDING SLEEVES) THROUGH WALLS AND CEILING SLABS FOR ASSOCIATED CABLING.

C. NOTE

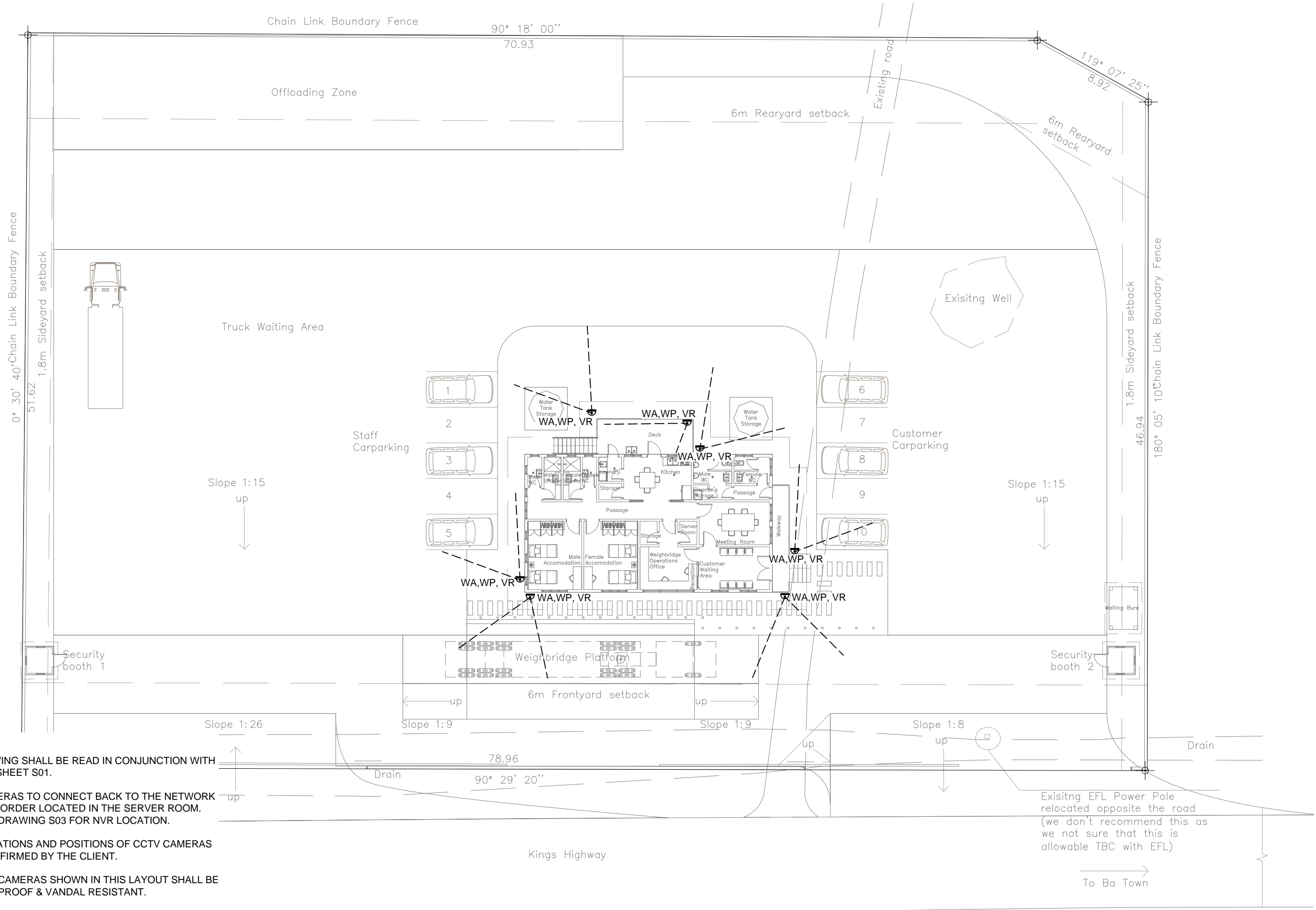
- ALL EQUIPMENT ARE NEW, UNLESS NOTED OTHERWISE.
- WIRING WITHIN THE BUILDING SHALL BE RUN IN CEILING/ROOF SPACES. VIDEO AND DATA WIRING SHALL BE RUN A MINIMUM OF 300mm CLEAR OF ELECTRICAL CABLES AND CONDUITS.
- EXTRA-LOW VOLTAGE WIRING SHALL BE RUN IN A SEPARATE CONDUIT TO AC POWER CABLES.
- THE CABLE ROUTES AND CONDUITS SHOWN ARE INDICATIVE ON THIS DRAWING.

ABBREVIATION:

- AV - AUDIO / VISUAL
- WA - WIDE ANGLE
- WP - WEATHERPROOF
- VR - VANDAL RESISTANT
- NVR - NETWORK VIDEO RECORDER
- N.T.S - NOT TO SCALE
- AFFL - ABOVE FINISHED FLOOR LEVEL

- CIRCLE WITHIN DIAMOND ENCLOSED LETTER INDICATES SPECIFIC NOTE REFERENCE ON SAME SHEET
- TRIANGLE WITH A NUMBER INSIDE INDICATES DRAWING REVISION

© COPYRIGHT OF THIS DRAWING SHALL REMAIN THE PROPERTY OF IRWIN ALSOP PACIFIC PTE LTD. PRECEDENCE SHALL BE GIVEN TO THE LARGEST SCALE DRAWING. THE CONTRACTOR SHALL VERIFY ALL DIMENSIONS ON SITE PRIOR TO PREPARATION OF SHOP DRAWINGS OR COMMENCEMENT OF ANY WORK. THE ENGINEER SHALL BE NOTIFIED IMMEDIATELY OF ANY DISCREPANCIES.	LEAD CONSULTANT / BUILDING SERVICES ENGINEERS: 19 DOMAIN ROAD, DOMANI SUVA, FIJI ISLANDS P.O. BOX 3872 SAMABULA, FIJI TELEPHONE: +679 330 2819 FACSIMILE: +679 330 2161 E-Mail: office@iap.com.fj	ARCHITECT: conway architects Architects + Master Planning 88 MCGREGOR ROAD, SUVA, FIJI ISLANDS TEL: (679) 330 4043 FAX: (679) 330 4496 E-Mail: conway@carc.com.fj	CLIENT: LAND TRANSPORT AUTHORITY LOT 1, DANIVA ROAD VALELEVU NASINU, FIJI ISLANDS P.O. BOX 6676, NASINU, FIJI TELEPHONE: +679 339 2166 FACSIMILE: +679 339 8925	PROJECT: LTA KARAVI WEIGHBRIDGE STATION KINGS ROAD, BA, FIJI ISLANDS	SHEET TITLE: SCHEDULE OF DRAWINGS / LEGEND / LOCALITY PLAN / SPECIFICATION / SCOPE OF WORKS	DRAWING STATUS: FOR TENDER FOR PRICING FINAL DESIGN	DESIGNED: CK CHECKED: CK START DATE: 25 / 04 / 2018 SCALE: NTS	DRAWN: MM APPROVED: GP ISSUE DATE: 24 / 05 / 2019	DISCIPLINE / SERVICES: SECURITY	JOB No: 7835 DWG No: S01 REVISION No: -
	No: 1 DATE: 24 / 05 / 2019 DESCRIPTION: FOR TENDER BY: IAP									
	1 24 / 05 / 2019 FOR TENDER IAP									

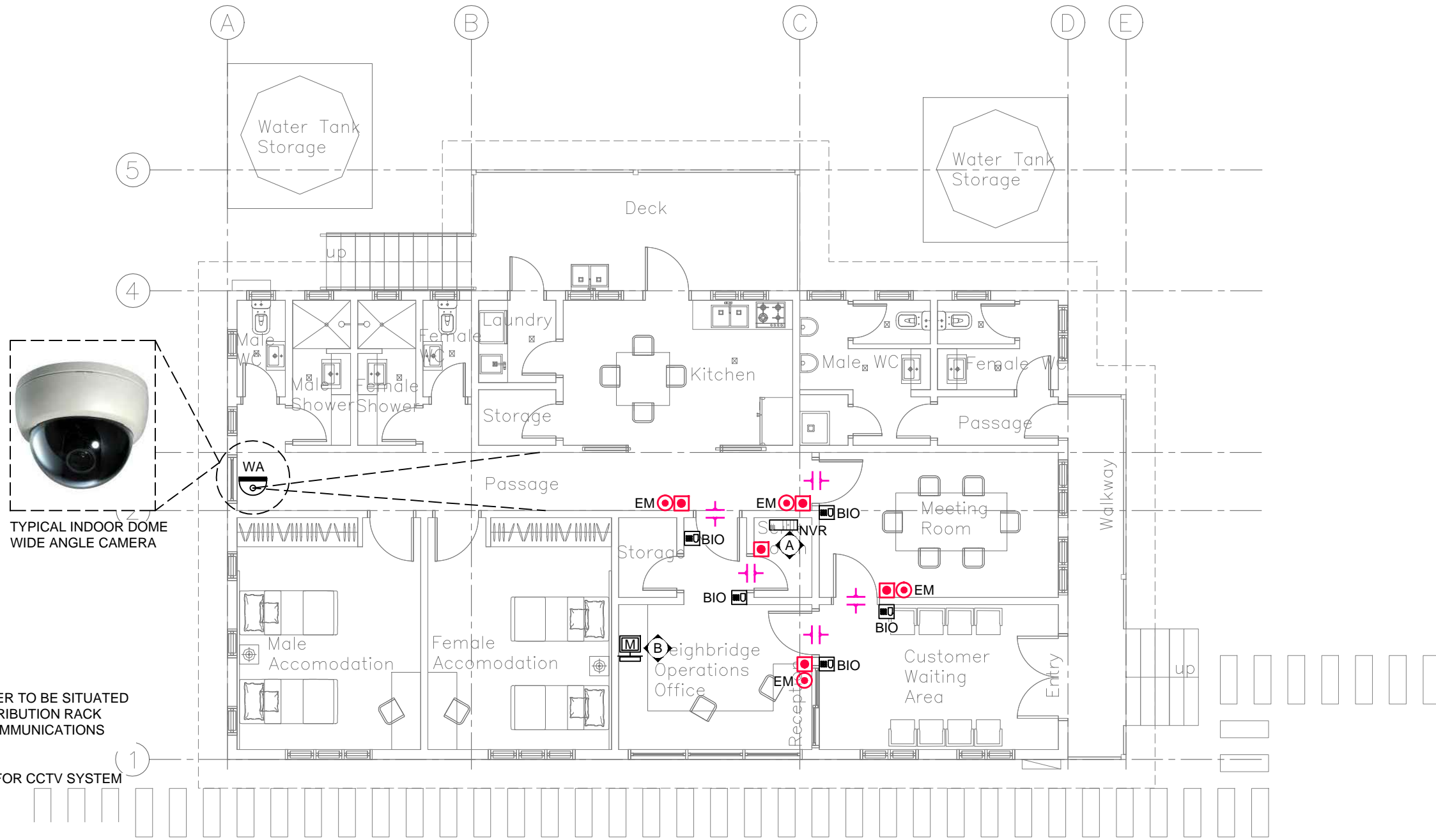


NOTES:

1. THIS DRAWING SHALL BE READ IN CONJUNCTION WITH DRAWING SHEET S01.
2. CCTV CAMERAS TO CONNECT BACK TO THE NETWORK VIDEO RECORDER LOCATED IN THE SERVER ROOM. REFER TO DRAWING S03 FOR NVR LOCATION.
3. FINAL LOCATIONS AND POSITIONS OF CCTV CAMERAS TO BE CONFIRMED BY THE CLIENT.
4. THE CCTV CAMERAS SHOWN IN THIS LAYOUT SHALL BE WEATHER PROOF & VANDAL RESISTANT.

Existing EFL Power Pole relocated opposite the road (we don't recommend this as we not sure that this is allowable TBC with EFL)

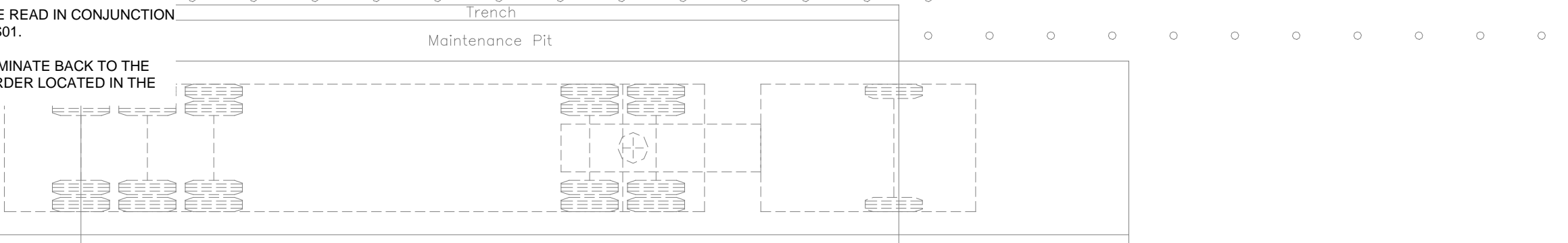
COPYRIGHT OF THIS DRAWING SHALL REMAIN THE PROPERTY OF IRWIN ALSOP PACIFIC PTE LTD. PRECEDENCE SHALL BE GIVEN TO THE LARGEST SCALE DRAWING. THE CONTRACTOR SHALL VERIFY ALL DIMENSIONS ON SITE PRIOR TO PREPARATION OF SHOP DRAWINGS OR COMMENCEMENT OF ANY WORK. THE ENGINEER SHALL BE NOTIFIED IMMEDIATELY OF ANY DISCREPANCIES.	LEAD CONSULTANT / BUILDING SERVICES ENGINEERS: 19 DOMAIN ROAD, DOMAAN SUVA, FIJI ISLANDS P.O. BOX 3872 SAMABUSA, FIJI TELEPHONE: +679 330 2819 FACSIMILE: +679 330 2161 E-Mail: office@iap.com.fj	ARCHITECT: conway architects Architects + Master Planning 88 MCGREGOR ROAD, SUVA, FIJI ISLANDS TEL: (679) 330 4043 FAX: (679) 330 4496 E-Mail: conway@carch.com.fj	CLIENT: LAND TRANSPORT AUTHORITY LOT 1, DANIVA ROAD VALELEVU NASINU, FIJI ISLANDS P.O. BOX 8676, NASINU, FIJI TELEPHONE: +679 339 2166 FACSIMILE: +679 339 8922	PROJECT: LTA KARAVI WEIGHBRIDGE STATION KINGS ROAD, BA, FIJI ISLANDS	SHEET TITLE: PROPOSED SITE PLAN CCTV CAMERA LAYOUTS	DRAWING STATUS: FOR TENDER FOR PRICING FINAL DESIGN	DESIGNED: CK	DRAWN: MM	DISCIPLINE / SERVICES: SECURITY	
							CHECKED: CK	APPROVED: GP		START DATE: 25 / 04 / 2018
							SCALE: 1 : 250 @ A3			



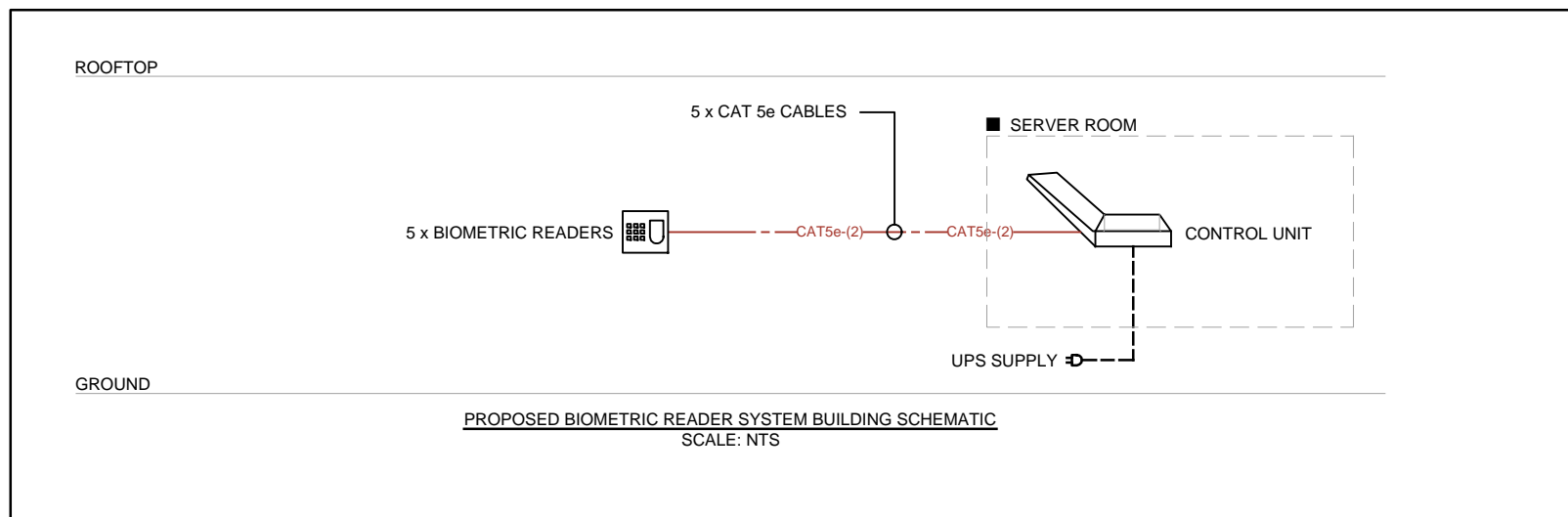
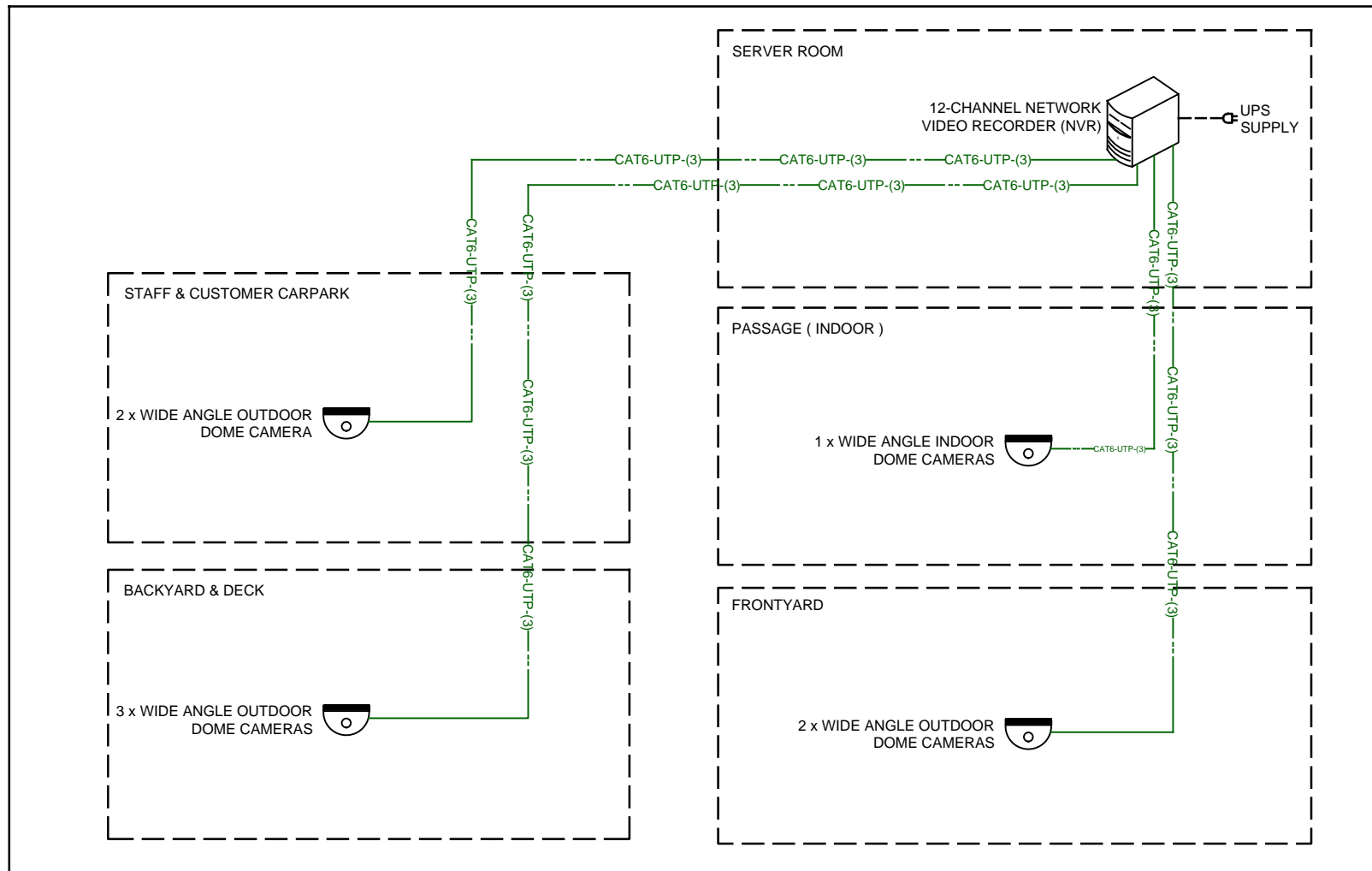
- (A)** - NETWORK VIDEO RECORDER TO BE SITUATED INSIDE THE BUILDING DISTRIBUTION RACK PROVIDED BY THE TELECOMMUNICATIONS SUB-CONTRACTOR
- (B)** - 32" MONITORING SCREEN FOR CCTV SYSTEM

NOTES:

1. THIS DRAWING SHALL BE READ IN CONJUNCTION WITH DRAWING SHEET S01.
2. CCTV CAMERAS TO TERMINATE BACK TO THE NETWORK VIDEO RECORDER LOCATED IN THE SERVER ROOM.



© COPYRIGHT OF THIS DRAWING SHALL REMAIN THE PROPERTY OF IRWIN ALSOP PACIFIC PTE LTD. PRECEDENCE SHALL BE GIVEN TO THE LARGEST SCALE DRAWING. THE CONTRACTOR SHALL VERIFY ALL DIMENSIONS ON SITE PRIOR TO PREPARATION OF SHOP DRAWINGS OR COMMENCEMENT OF ANY WORK. THE ENGINEER SHALL BE NOTIFIED IMMEDIATELY OF ANY DISCREPANCIES.	LEAD CONSULTANT / BUILDING SERVICES ENGINEERS: 19 DOMAAN ROAD, DOMAAN SILVA, FIJI ISLANDS P.O. BOX 3872, SAMABUELA, FIJI TELEPHONE: +679 330 2819 FACSIMILE: +679 330 2161 E-MAIL: office@iap.com.fj		ARCHITECT: conway architects Architects + Master Planning 88 MCGREGOR ROAD, SUVA, FIJI ISLANDS TEL: (679) 330 4043 FAX: (679) 330 4496 E-MAIL: conway@carch.com.fj		CLIENT: LAND TRANSPORT AUTHORITY LOT 1, DANIVA ROAD, VALELEVU NASINU, FIJI ISLANDS P.O. BOX 8676, NASINU, FIJI TELEPHONE: +679 339 2166 FACSIMILE: +679 339 8923		PROJECT: LTA KARAVI WEIGHBRIDGE STATION KINGS ROAD, BA, FIJI ISLANDS		SHEET TITLE: PROPOSED GROUND FLOOR PLAN CCTV CAMERA & ACCESS CONTROL LAYOUTS		DRAWING STATUS: FOR TENDER FOR PRICING FINAL DESIGN		DESIGNED: CK CHECKED: CK START DATE: 25 / 04 / 2018 SCALE: 1 : 100 @ A3		DRAWN: MM APPROVED: GP ISSUE DATE: 24 / 05 / 2019		DISCIPLINE / SERVICES: SECURITY		
	No: 1 DATE: 24 / 05 / 2019 DESCRIPTION: FOR TENDER		BY: IAP		CLIENT: LTA		PROJECT: LTA KARAVI WEIGHBRIDGE STATION		SHEET TITLE: PROPOSED GROUND FLOOR PLAN CCTV CAMERA & ACCESS CONTROL LAYOUTS		DRAWING STATUS: FOR TENDER		DESIGNED: CK		DRAWN: MM		DISCIPLINE / SERVICES: SECURITY		
	No: 1 DATE: 24 / 05 / 2019 DESCRIPTION: FOR TENDER		BY: IAP		CLIENT: LTA		PROJECT: LTA KARAVI WEIGHBRIDGE STATION		SHEET TITLE: PROPOSED GROUND FLOOR PLAN CCTV CAMERA & ACCESS CONTROL LAYOUTS		DRAWING STATUS: FOR TENDER		DESIGNED: CK		DRAWN: MM		DISCIPLINE / SERVICES: SECURITY		
	No: 1 DATE: 24 / 05 / 2019 DESCRIPTION: FOR TENDER		BY: IAP		CLIENT: LTA		PROJECT: LTA KARAVI WEIGHBRIDGE STATION		SHEET TITLE: PROPOSED GROUND FLOOR PLAN CCTV CAMERA & ACCESS CONTROL LAYOUTS		DRAWING STATUS: FOR TENDER		DESIGNED: CK		DRAWN: MM		DISCIPLINE / SERVICES: SECURITY		



SECURITY SERVICES WIREWORK LEGEND	
LINETYPE	DESCRIPTIONS
CAT6-UTP-(1)	PROPOSED CAT6-UTP WIREWORK (INDICATIVE ONLY) - UNDER SLAB / FLOOR / GROUND
CAT6-UTP-(2)	PROPOSED CAT6-UTP WIREWORK (INDICATIVE ONLY) - IN WALL
CAT6-UTP-(3)	PROPOSED CAT6-UTP WIREWORK (INDICATIVE ONLY) - IN CEILING / HIGH LEVEL
CAT5e-(1)	PROPOSED CAT5e-UTP WIREWORK (INDICATIVE ONLY) - UNDER SLAB / FLOOR / GROUND
CAT5e-(2)	PROPOSED CAT5e-UTP WIREWORK (INDICATIVE ONLY) - IN WALL
CAT5e-(3)	PROPOSED CAT5e-UTP WIREWORK (INDICATIVE ONLY) - IN CEILING / HIGH LEVEL
HDMI-1	PROPOSED HDMI WIREWORK (INDICATIVE ONLY) - UNDER SLAB / FLOOR / GROUND
HDMI-2	PROPOSED HDMI WIREWORK (INDICATIVE ONLY) - IN WALL
HDMI-3	PROPOSED HDMI WIREWORK (INDICATIVE ONLY) - IN CEILING / HIGH LEVEL

