

7835 TELECOMMUNICATIONS SERVICES - SCHEDULE OF DRAWINGS		
DWG#:	SHEET TITLE	SCALE
T01	SCHEDULE OF DRAWINGS / LEGEND / LOCALITY PLAN / SPECIFICATION / SCOPE OF WORKS	NTS
T02	PROPOSED SITE PLAN TELECOMMUNICATIONS RETICULATION	1 : 250 @ A3
T03	PROPOSED FLOOR PLAN TELECOMMUNICATIONS LAYOUTS	1 : 100 @ A3
T04	PROPOSED TELECOMMUNICATIONS SCHEMATICS & DETAILS	NTS

TELECOMMUNICATIONS SERVICES LEGENDS	
SYMBOLS	DESCRIPTIONS
	TELECOMMUNICATIONS PIT - CHANNELL GRADE LEVEL PIT - SGLB 2436 OR APPROVED EQUIVALENT
	BUILDING DISTRIBUTOR - WALL MOUNTED 18RU RACK UNIT
	SINGLE TELECOMMUNICATIONS OUTLET - AT 300mm AFFL (UNLESS SPECIFIED)
	DOUBLE TELECOMMUNICATIONS OUTLET - AT 300mm AFFL (UNLESS SPECIFIED)
	QUAD TELECOMMUNICATIONS OUTLET - AT 300mm AFFL (UNLESS SPECIFIED)
	SINGLE TELEVISION DATA OUTLET MOUNTED BEHIND TELEVISION SCREEN UNLESS SPECIFIED IN THE DRAWING

- CIRCLE WITHIN DIAMOND ENCLOSED LETTER INDICATES SPECIFIC NOTE REFERENCE ON SAME SHEET
- TRIANGLE WITH A NUMBER INSIDE INDICATES DRAWING REVISION.
- TOP NUMERICAL VALUE REPRESENTS THE NUMBER OF CONDUITS. BOTTOM NUMERICAL VALUE REPRESENTS THE DIAMETER OF THE CONDUIT

- ABBREVIATIONS:**
- WIFI - WIRELESS FIDELITY
 - UPS - UNINTERRUPTED POWER SUPPLY
 - NTS - NOT TO SCALE
 - POE - POWER OVER ETHERNET
 - BD - BUILDING DISTRIBUTOR
 - PH - PHONE

TELECOMMUNICATIONS WIREWORK LEGENDS	
LINETYPE	DESCRIPTIONS
	PROPOSED FIBRE OPTIC WIREWORK (INDICATIVE ONLY) - UNDER SLAB / FLOOR / GROUND
	PROPOSED FIBRE OPTIC WIREWORK (INDICATIVE ONLY) - IN WALL
	PROPOSED FIBRE OPTIC WIREWORK (INDICATIVE ONLY) - IN-CEILING / HIGH LEVEL
	PROPOSED CAT7 4-PAIR UTP WIREWORK (INDICATIVE ONLY) - UNDER SLAB / FLOOR / GROUND
	PROPOSED CAT7 4-PAIR UTP WIREWORK (INDICATIVE ONLY) - IN WALL
	PROPOSED CAT7 4-PAIR UTP WIREWORK (INDICATIVE ONLY) - IN CEILING / HIGH LEVEL
	PROPOSED CAT6 4-PAIR UTP WIREWORK (INDICATIVE ONLY) - UNDER SLAB / FLOOR / GROUND
	PROPOSED CAT6 4-PAIR UTP WIREWORK (INDICATIVE ONLY) - IN WALL
	PROPOSED CAT6 4-PAIR UTP WIREWORK (INDICATIVE ONLY) - IN CEILING / HIGH LEVEL

SPECIFICATIONS & SCOPE OF WORKS

- A. GENERAL**
- THESE DRAWINGS SHALL BE READ IN CONJUNCTION WITH ALL ARCHITECTURAL AND OTHER CONSULTANT'S DRAWINGS AND SPECIFICATIONS AND WITH SUCH OTHER WRITTEN INSTRUCTIONS AS MAY BE ISSUED DURING THE COURSE OF THE CONTRACT.
 - ALL MATERIALS AND WORKMANSHIP SHALL BE IN ACCORDANCE WITH RELEVANT CODES AND AUTHORITIES HAVING JURISDICTION.
 - ALL DIMENSIONS SHOWN SHALL BE VERIFIED ON SITE. SERVICES ENGINEERS DRAWINGS SHALL NOT BE SCALED. ALL DIMENSIONS NOTED ARE IN MILLIMETERS UNLESS NOTED OTHERWISE.
 - SUPPLY, INSTALL, COMMISSION AND MAINTAIN FOR THE DEFECTS LIABILITY PERIOD ALL THE TELECOMMUNICATIONS SERVICES AS SHOWN ON THE DRAWINGS. PROVIDE 'AS INSTALLED DRAWINGS AND MAINTENANCE MANUALS AT PRACTICAL COMPLETION.
 - PROVIDE ALL NECESSARY PENETRATIONS THROUGH CONCRETE, BRICKWORK AND BUILDING FINISHES TO ACCOMMODATE CONDUITS AND CABLING WORKS. PENETRATIONS SHALL BE SUBMITTED TO THE STRUCTURAL ENGINEER FOR APPROVAL PRIOR TO THEIR CONSTRUCTION. PENETRATIONS REQUIRED THROUGH CONSTRUCTED MATERIALS AND PRECAST SLABS SHALL BE CORE DRILLED. ALL PENETRATIONS ARE TO BE SEALED IN AN APPROVED MANNER.
 - TRENCH BACKFILLING UNDER PAVEMENTS AND BUILDING SLABS TO FORMATION LEVEL SHALL BE CLASS 3 FINE CRUSHED ROCK COMPACTED IN LAYERS OF 150MM MAXIMUM COMPACTED THICKNESS TO 95% STANDARD MAXIMUM DRY DENSITY.
 - APPLY TO THE LOCAL AUTHORITY FOR ALL NECESSARY PERMITS. PAY ALL FEES AND CHARGES.
 - CONSTRUCT ALL WORKS IN ACCORDANCE WITH THE FIJI NATIONAL BUILDING CODE.
 - THE TELECOMMUNICATIONS SERVICES SUB-CONTRACTOR SHALL CONFIRM THE FINAL POSITIONS OF EQUIPMENT ON SITE BEFORE CARRYING OUT INSTALLATION WORKS.
 - MAKE GOOD ALL DAMAGE TO EXISTING CONDITIONS.
- B. CABLING WORKS**
- ALL CABLING SYSTEMS TO BE CONCEALED AND IN ACCORDANCE WITH STANDARD AS/NZS 3000 AND AS/NZS 3080.
 - SUPPLY AND INSTALL FIRE-PRO PIPE WRAPS B305 & B306 OR EQUAL APPROVED PENETRATION SEAL FOR ALL PENETRATIONS (INCLUDING SLEEVES) THROUGH WALLS AND CEILING SLABS FOR ASSOCIATED CABLING.
- C. NOTES**
- ALL EQUIPMENT SHALL BE NEW, UNLESS NOTED OTHERWISE.
 - WIRING WITHIN THE BUILDING SHALL BE RUN IN CEILING/ROOF SPACES. TELECOMMUNICATIONS WIRING SHALL RUN A MINIMUM OF 300MM CLEAR OF ELECTRICAL CABLES AND CONDUITS.
 - TELECOMMUNICATIONS WIRING SHALL RUN IN A SEPARATE CONDUIT TO AC POWER CABLES.
 - THE CABLE ROUTES AND CONDUITS SHOWN ARE INDICATIVE ON THIS DRAWING.
 - POWER SUPPLY TO THE PATCH PANELS AND ASSOCIATED EQUIPMENT IS PART OF ELECTRICAL SUB-CONTRACTOR'S SCOPE OF WORK. REFER TO THE ELECTRICAL DRAWINGS.

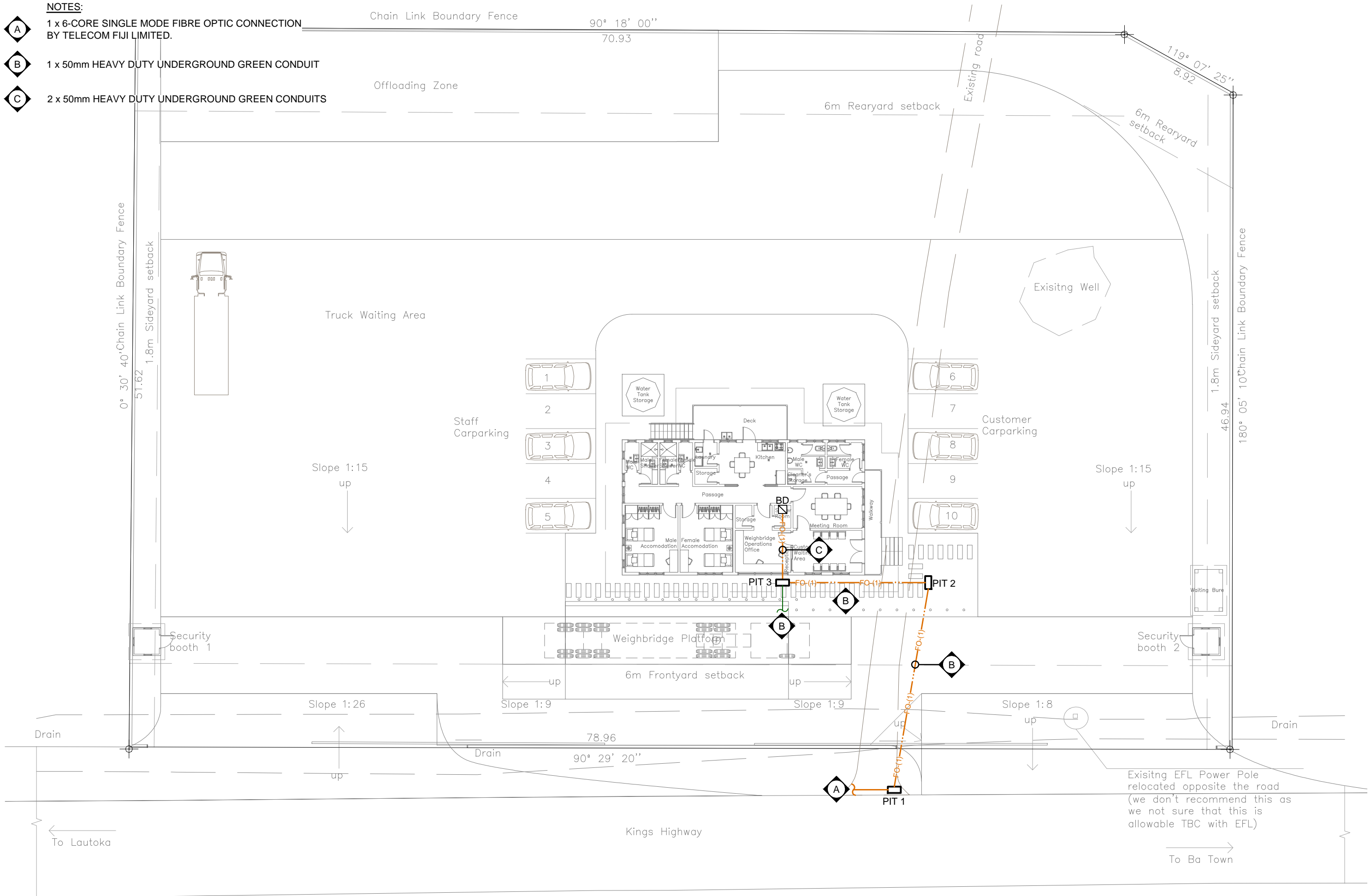


GOOGLE EARTH - LOCALITY PLAN
NTS

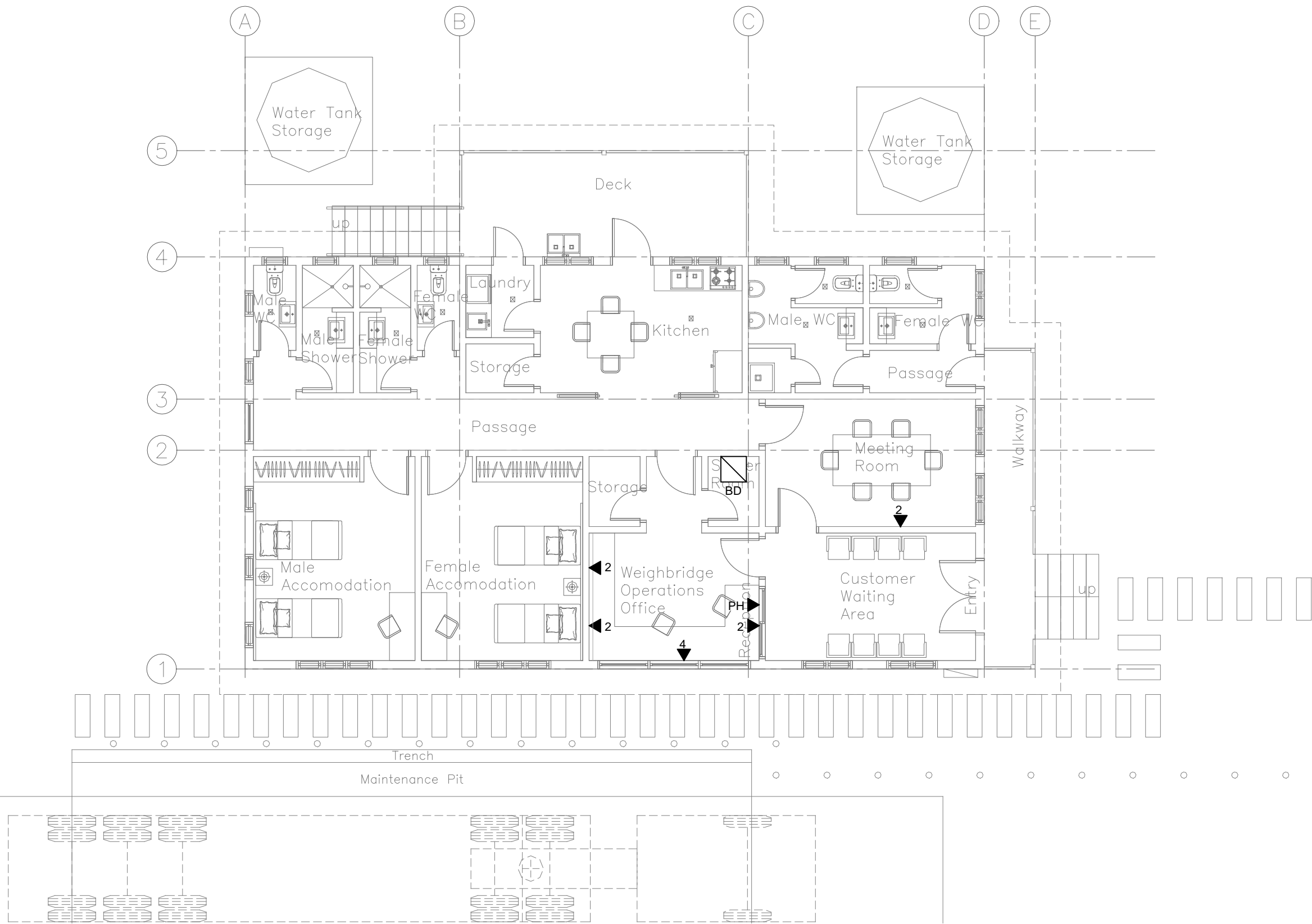
<small>© COPYRIGHT OF THIS DRAWING SHALL REMAIN THE PROPERTY OF IRWIN ALSOP PACIFIC PTE LTD. PRECEDENCE SHALL BE GIVEN TO THE LARGEST SCALE DRAWING. THE CONTRACTOR SHALL VERIFY ALL DIMENSIONS ON SITE PRIOR TO PREPARATION OF SHOP DRAWINGS OR COMMENCEMENT OF ANY WORK. THE ENGINEER SHALL BE NOTIFIED IMMEDIATELY OF ANY DISCREPANCIES.</small>	LEAD CONSULTANT / BUILDING SERVICES ENGINEERS: 	ARCHITECT: 	CLIENT: 	PROJECT: LTA KARAVI WEIGHBRIDGE STATION KINGS ROAD, BA, FIJI ISLANDS	SHEET TITLE: SCHEDULE OF DRAWINGS / LEGEND / LOCALITY PLAN / SPECIFICATION / SCOPE OF WORKS	DRAWING STATUS: FOR TENDER FOR PRICING FINAL DESIGN	DESIGNED: CK CHECKED: JW / MM / GY / CK START DATE: 25 / 04 / 2018 SCALE: NTS	DRAWN: GK APPROVED: GP / WY ISSUE DATE: 24 / 05 / 2019	DISCIPLINE / SERVICES: TELECOMMUNICATION
	1 24 / 05 / 2019 FOR TENDER IAP <small>No: DATE DESCRIPTION BY:</small>	88 MCGREGOR ROAD, SUVA, FIJI ISLANDS TEL: (679) 330 4043 FAX: (679) 330 4496 E-Mail: conway@carc.com.fj	LOT 1, DANIVA ROAD VALELEVU NASINU, FIJI ISLANDS P.O. BOX 8676, NASINU, FIJI TELEPHONE: +679 339 2166 FACSIMILE: +679 339 8922	JOB No: 7835 DWG No: T01 REVISION No: -					

NOTES:

- A** 1 x 6-CORE SINGLE MODE FIBRE OPTIC CONNECTION BY TELECOM FIJI LIMITED.
- B** 1 x 50mm HEAVY DUTY UNDERGROUND GREEN CONDUIT
- C** 2 x 50mm HEAVY DUTY UNDERGROUND GREEN CONDUITS

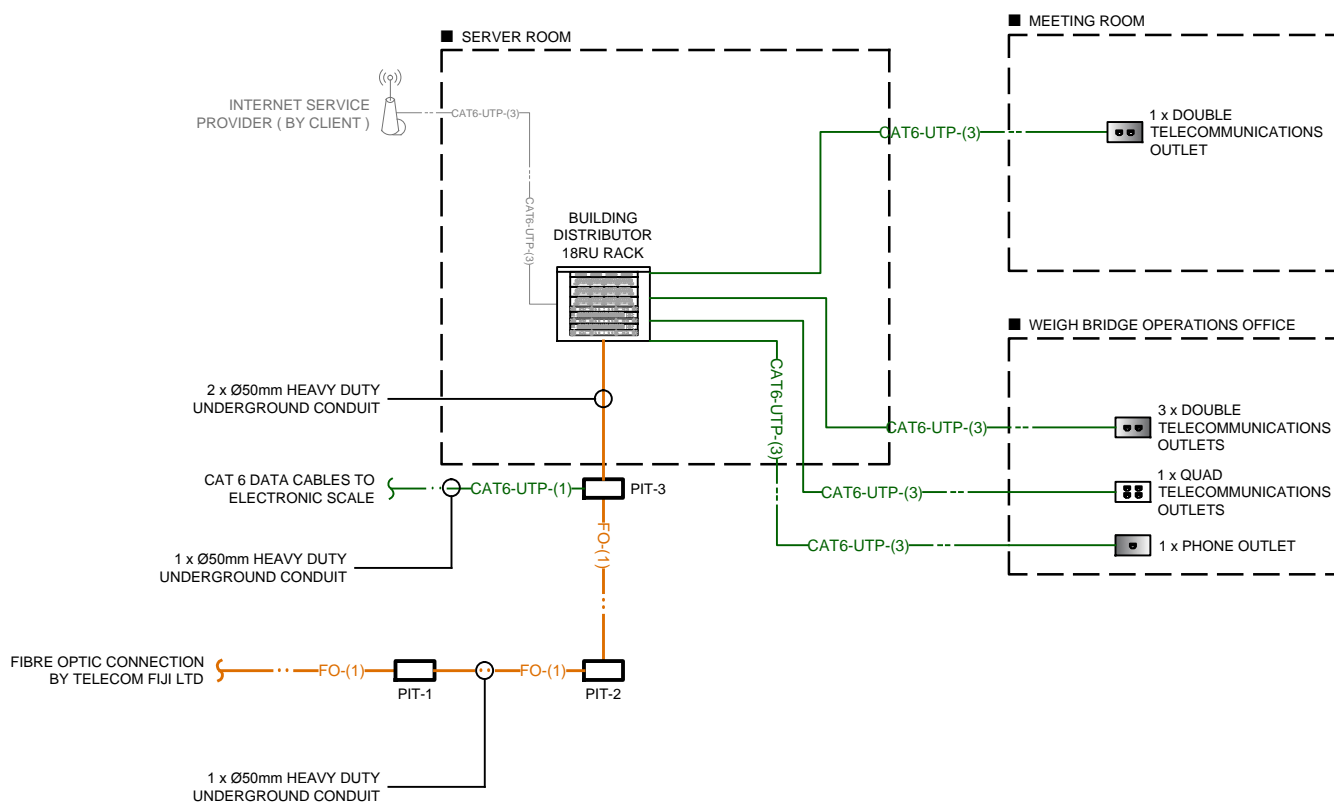


<p><small>© COPYRIGHT OF THIS DRAWING SHALL REMAIN THE PROPERTY OF IRWIN ALSOP PACIFIC PTE LTD. PRECEDENCE SHALL BE GIVEN TO THE LARGEST SCALE DRAWING. THE CONTRACTOR SHALL VERIFY ALL DIMENSIONS ON SITE PRIOR TO PREPARATION OF SHOP DRAWINGS OR COMMENCEMENT OF ANY WORK. THE ENGINEER SHALL BE NOTIFIED IMMEDIATELY OF ANY DISCREPANCIES.</small></p>	<p>LEAD CONSULTANT / BUILDING SERVICES ENGINEERS:</p> <p>IAP Irwin Alsop Pacific 19 DOMAAN ROAD, DOMAAN SILVA, FIJI ISLANDS P.O. BOX 3872, SAMABUSA, FIJI TELEPHONE: +679 330 2819 FACSIMILE: +679 330 2161 E-Mail: office@iap.com.fj</p>	<p>ARCHITECT:</p> <p>conway architects Architects + Master Planning 88 MCGREGOR ROAD, SUVA, FIJI ISLANDS TEL: (679) 330 4043 FAX: (679) 330 4496 E-Mail: conway@carc.com.fj</p>	<p>CLIENT:</p> <p>LTA LAND TRANSPORT AUTHORITY LOT 1, DANIVA ROAD VALELEVU NASINU, FIJI ISLANDS P.O. BOX 8676, NASINU, FIJI TELEPHONE: +679 339 2166 FACSIMILE: +679 339 8923</p>	<p>PROJECT:</p> <p>LTA KARAVI WEIGHBRIDGE STATION KINGS ROAD, BA, FIJI ISLANDS</p>	<p>SHEET TITLE:</p> <p>PROPOSED SITE PLAN TELECOMMUNICATIONS RETICULATION</p>	<p>DRAWING STATUS:</p> <p>FOR TENDER</p> <p>FOR PRICING</p> <p>FINAL DESIGN</p>	<p>DESIGNED: CK</p> <p>CHECKED: JW / MM / GY / CK</p> <p>START DATE: 25 / 04 / 2018</p> <p>SCALE: 1 : 250 @ A3</p>	<p>DRAWN: GK</p> <p>APPROVED: GP / WY</p> <p>ISSUE DATE: 24 / 05 / 2019</p>	<p>DISCIPLINE / SERVICES:</p> <p>TELECOMMUNICATION</p> <p>JOB No: 7835</p> <p>DWG No: T02</p> <p>REVISION No: -</p>
------------------------------------------------------------------------------------------------------------------------------------------------------------------------------------------------------------------------------------------------------------------------------------------------------------------------------------------------------------	---------------------------------------------------------------------------------------------------------------------------------------------------------------------------------------------------------------------------------------------------------------------------------	-------------------------------------------------------------------------------------------------------------------------------------------------------------------------------------------------------------------	-------------------------------------------------------------------------------------------------------------------------------------------------------------------------------------------------------------------------	------------------------------------------------------------------------------------------------------	---------------------------------------------------------------------------------------------	-------------------------------------------------------------------------------------------------------------	------------------------------------------------------------------------------------------------------------------------------------------------	--------------------------------------------------------------------------------------------------	--------------------------------------------------------------------------------------------------------------------------------------------------------



© COPYRIGHT OF THIS DRAWING SHALL REMAIN THE PROPERTY OF IRWIN ALSOP PACIFIC PTE LTD. PRECEDENCE SHALL BE GIVEN TO THE LARGEST SCALE DRAWING. THE CONTRACTOR SHALL VERIFY ALL DIMENSIONS ON SITE PRIOR TO PREPARATION OF SHOP DRAWINGS OR COMMENCEMENT OF ANY WORK. THE ENGINEER SHALL BE NOTIFIED IMMEDIATELY OF ANY DISCREPANCIES.	LEAD CONSULTANT / BUILDING SERVICES ENGINEERS:  19 DOMAIN ROAD, DOMANU SUVA, FIJI ISLANDS P.O. BOX 3872 SAMABUSA, FIJI TELEPHONE: +679 330 2819 FACSIMILE: +679 330 2161 E-Mail: office@iap.com.fj		ARCHITECT:  conway architects Architects + Master Planning 88 MCGREGOR ROAD, SUVA, FIJI ISLANDS TEL: (679) 330 4043 FAX: (679) 330 4496 E-Mail: conway@carcm.com.fj		CLIENT:  LAND TRANSPORT AUTHORITY LOT 1, DANIVA ROAD VALELEVU NASINU, FIJI ISLANDS P.O. BOX 8676, NASINU, FIJI TELEPHONE: +679 339 2166 FACSIMILE: +679 339 8925		PROJECT: LTA KARAVI WEIGHBRIDGE STATION KINGS ROAD, BA, FIJI ISLANDS		SHEET TITLE: PROPOSED FLOOR PLAN TELECOMMUNICATIONS LAYOUTS		DRAWING STATUS: FOR TENDER FOR PRICING FINAL DESIGN		DESIGNED: CK CHECKED: JW / MM / GY / CK START DATE: 25 / 04 / 2018 SCALE: 1 : 100 @ A3		DRAWN: GK APPROVED: GP / WY ISSUE DATE: 24 / 05 / 2019		DISCIPLINE / SERVICES: TELECOMMUNICATION		
	No: 1 DATE: 24 / 05 / 2019 DESCRIPTION: FOR TENDER		IAP BY:		LTA		PROJECT: LTA KARAVI WEIGHBRIDGE STATION		SHEET TITLE: PROPOSED FLOOR PLAN TELECOMMUNICATIONS LAYOUTS		DRAWING STATUS: FOR TENDER, FOR PRICING, FINAL DESIGN		DESIGNED: CK, CHECKED: JW / MM / GY / CK, START DATE: 25 / 04 / 2018, SCALE: 1 : 100 @ A3		DRAWN: GK, APPROVED: GP / WY, ISSUE DATE: 24 / 05 / 2019		DISCIPLINE / SERVICES: TELECOMMUNICATION		
	No: 1 DATE: 24 / 05 / 2019 DESCRIPTION: FOR TENDER		IAP BY:		LTA		PROJECT: LTA KARAVI WEIGHBRIDGE STATION		SHEET TITLE: PROPOSED FLOOR PLAN TELECOMMUNICATIONS LAYOUTS		DRAWING STATUS: FOR TENDER, FOR PRICING, FINAL DESIGN		DESIGNED: CK, CHECKED: JW / MM / GY / CK, START DATE: 25 / 04 / 2018, SCALE: 1 : 100 @ A3		DRAWN: GK, APPROVED: GP / WY, ISSUE DATE: 24 / 05 / 2019		DISCIPLINE / SERVICES: TELECOMMUNICATION		
	No: 1 DATE: 24 / 05 / 2019 DESCRIPTION: FOR TENDER		IAP BY:		LTA		PROJECT: LTA KARAVI WEIGHBRIDGE STATION		SHEET TITLE: PROPOSED FLOOR PLAN TELECOMMUNICATIONS LAYOUTS		DRAWING STATUS: FOR TENDER, FOR PRICING, FINAL DESIGN		DESIGNED: CK, CHECKED: JW / MM / GY / CK, START DATE: 25 / 04 / 2018, SCALE: 1 : 100 @ A3		DRAWN: GK, APPROVED: GP / WY, ISSUE DATE: 24 / 05 / 2019		DISCIPLINE / SERVICES: TELECOMMUNICATION		

TELECOMMUNICATIONS WIREWORK LEGEND	
LINETYPE	DESCRIPTIONS
	PROPOSED FIBRE OPTIC WIREWORK (INDICATIVE ONLY) - UNDER SLAB / FLOOR / GROUND
	PROPOSED FIBRE OPTIC WIREWORK (INDICATIVE ONLY) - IN WALL
	PROPOSED FIBRE OPTIC WIREWORK (INDICATIVE ONLY) - IN CEILING / HIGH LEVEL
	PROPOSED 3M VOLUTION OR APPROVED EQUIVALENT CAT7 4-PAIR UTP WIREWORK (INDICATIVE ONLY) - UNDER SLAB / FLOOR / GROUND
	PROPOSED 3M VOLUTION OR APPROVED EQUIVALENT CAT7 4-PAIR UTP WIREWORK (INDICATIVE ONLY) - IN WALL
	PROPOSED 3M VOLUTION OR APPROVED EQUIVALENT CAT7 4-PAIR UTP WIREWORK (INDICATIVE ONLY) - IN CEILING / HIGH LEVEL
	PROPOSED 3M VOLUTION OR APPROVED EQUIVALENT CAT6-UTP 4-PAIR WIREWORK (INDICATIVE ONLY) - UNDER SLAB / FLOOR / GROUND
	PROPOSED 3M VOLUTION OR APPROVED EQUIVALENT CAT6-UTP 4-PAIR WIREWORK (INDICATIVE ONLY) - IN WALL
	PROPOSED 3M VOLUTION OR APPROVED EQUIVALENT CAT6-UTP 4-PAIR WIREWORK (INDICATIVE ONLY) - IN CEILING / HIGH LEVEL
	PROPOSED HDMI WIREWORK (INDICATIVE ONLY) - UNDER SLAB / FLOOR / GROUND
	PROPOSED HDMI WIREWORK (INDICATIVE ONLY) - IN WALL
	PROPOSED HDMI WIREWORK (INDICATIVE ONLY) - IN CEILING / HIGH LEVEL



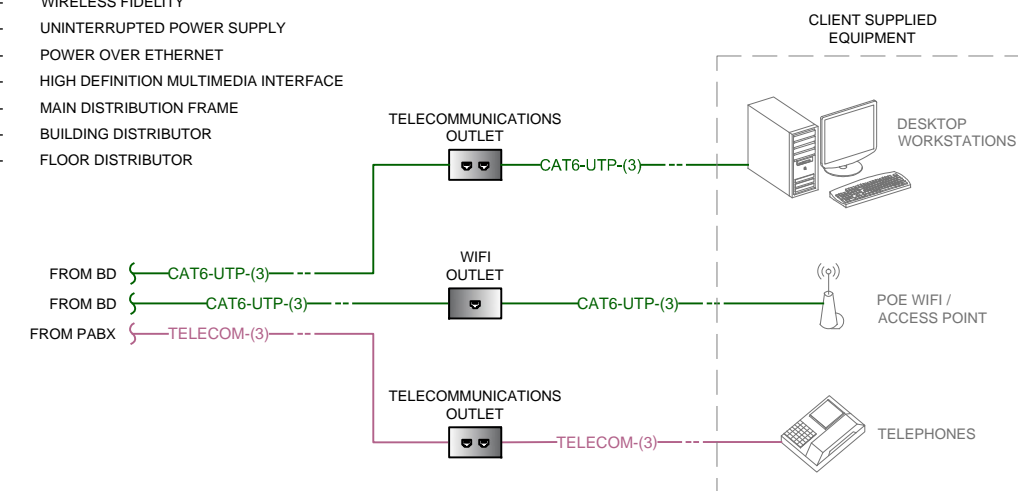
PROPOSED OVERALL STRUCTURED CABLING SCHEMATIC
SCALE: N.T.S

NOTES:

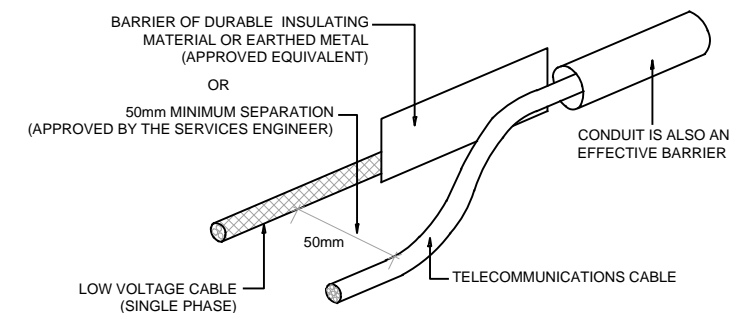
- THIS DRAWING SHALL BE READ IN CONJUNCTION WITH DRAWING SHEET T01.
- TELECOM FIJI LIMITED TO CARRY OUT FIBRE OPTIC INSTALLATION TO THE PROPOSED BUILDING DISTRIBUTOR.

ABBREVIATIONS:

- WIFI - WIRELESS FIDELITY
- UPS - UNINTERRUPTED POWER SUPPLY
- POE - POWER OVER ETHERNET
- HDMI - HIGH DEFINITION MULTIMEDIA INTERFACE
- MDF - MAIN DISTRIBUTION FRAME
- BD - BUILDING DISTRIBUTOR
- FD - FLOOR DISTRIBUTOR



TYPICAL END USER EQUIPMENT CONNECTIONS LAYOUT
SCALE: N.T.S



DETAIL OF SEPARATION OF LOW VOLTAGE CABLES & TELECOMMUNICATIONS
CABLES ON SURFACES OR CONCEALED IN FLOORS OR IN-CEILING
SCALE: N.T.S

© COPYRIGHT OF THIS DRAWING SHALL REMAIN THE PROPERTY OF IRWIN ALSOP PACIFIC PTE LTD. PRECEDENCE SHALL BE GIVEN TO THE LARGEST SCALE DRAWING. THE CONTRACTOR SHALL VERIFY ALL DIMENSIONS ON SITE PRIOR TO PREPARATION OF SHOP DRAWINGS OR COMMENCEMENT OF ANY WORK. THE ENGINEER SHALL BE NOTIFIED IMMEDIATELY OF ANY DISCREPANCIES.	LEAD CONSULTANT / BUILDING SERVICES ENGINEERS: 19 DOMAIN ROAD, DOMAAN SILVA, FIJI ISLANDS P.O. BOX 3872, SAMABULA, FIJI TELEPHONE: +679 330 2819 FACSIMILE: +679 330 2161 E-Mail: office@iap.com.fj	ARCHITECT: Architects + Master Planning 88 MCGREGOR ROAD, SUVA, FIJI ISLANDS TEL: (679) 330 4043 FAX: (679) 330 4496 E-Mail: conway@carch.com.fj	CLIENT: LAND TRANSPORT AUTHORITY LOT 1, DANIVA ROAD, VALELEVU NASINU, FIJI ISLANDS P.O. BOX 8676, NASINU, FIJI TELEPHONE: +679 339 2166 FACSIMILE: +679 339 8925	PROJECT: LTA KARAVI WEIGHBRIDGE STATION KINGS ROAD, BA, FIJI ISLANDS	SHEET TITLE: PROPOSED TELECOMMUNICATIONS SCHEMATICS AND DETAILS	DRAWING STATUS: FOR TENDER	DESIGNED: CK DRAWN: GK	DISCIPLINE / SERVICES: TELECOMMUNICATION	
						ACTION: FOR PRICING	CHECKED: JW / MM / GY / CK APPROVED: GP / WY		START DATE: 25 / 04 / 2018 ISSUE DATE: 24 / 05 / 2019
						WORK STAGE: FINAL DESIGN	SCALE: NTS		