

BASEPLATES LAYOUT

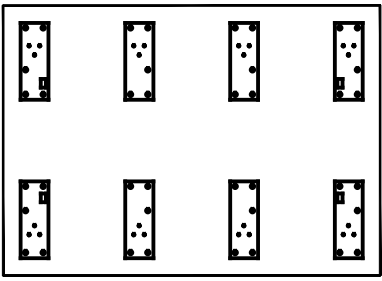
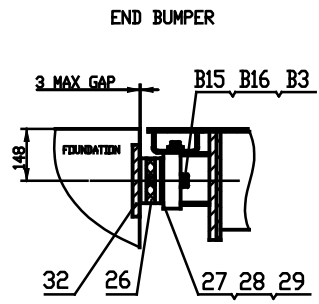


TABLE 1: SCALE SIZES AND MODULE DIMENSIONS

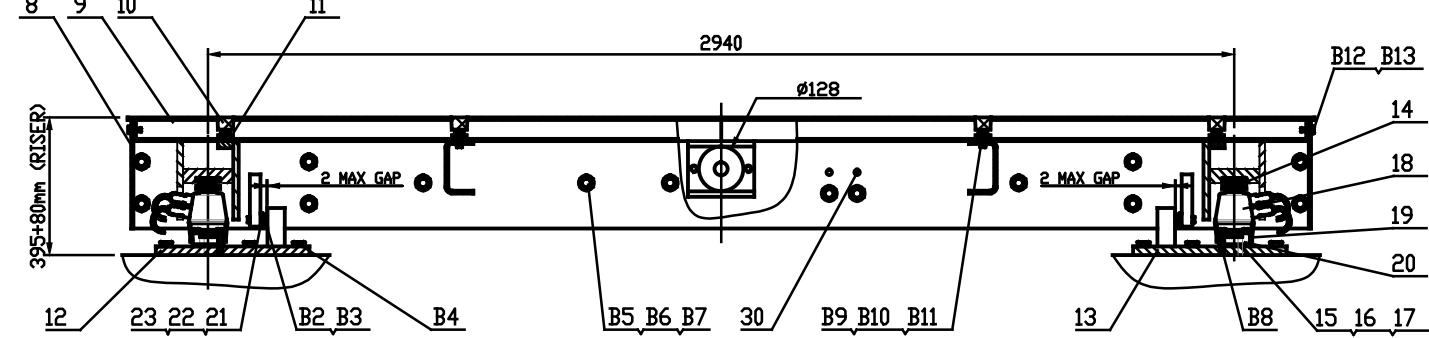
BDM	SIZE (m)	CLC (T)	A	B	C	D	E	ITEM	PLATFORM
72239418	3.4x16	28	16050	16000	5950	4950	4950	2	72203663 (1), 72211515 (2)
								3	72203662 (1), 72211513 (2)

**APPROVED FOR CONSTRUCTION**  
 PROJECT No. B16-0011  
 DATE 30/09/2017  
 SIGN. V.R.

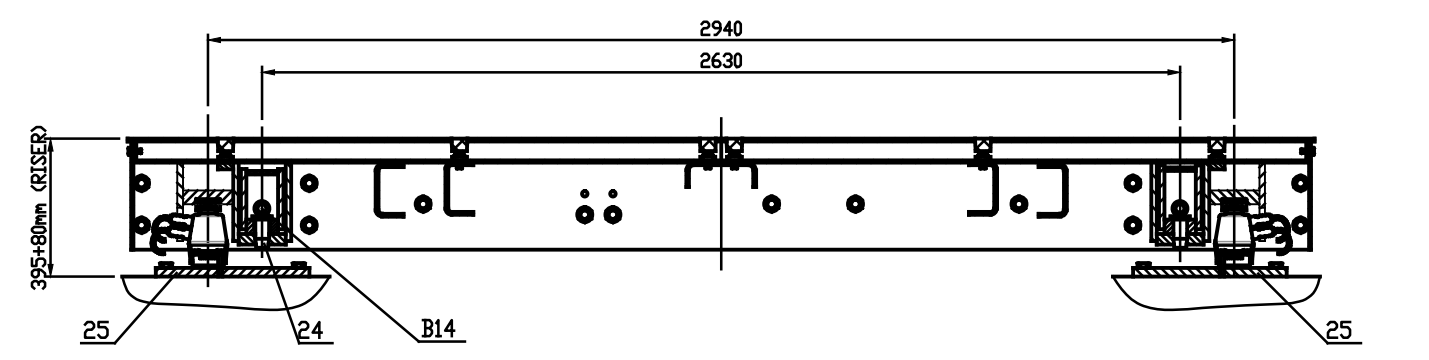
SECTION C-C, 1:10



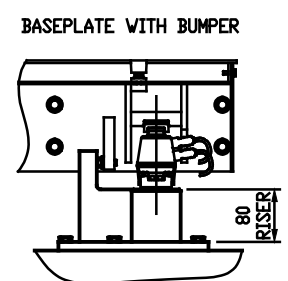
SECTION A-A, 1:10



SECTION B-B, 1:10



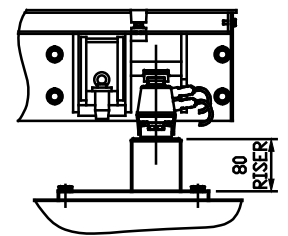
RISER OPTION



RISER SET

H, mm	P/No.
80	30064750

MIDDLE BASEPLATE



BILL OF MATERIAL

ITEM	QTY	PART No.	DESCRIPTION	MATERIAL/SPEC.
1	1	72239846	ENDPLATE, LEFT END BUMPER	WELDMENT
2	3	Table 1	MODULE, WIDE	WELDMENT
3	3	Table 1	MODULE, NARROW	WELDMENT
4	2	72239847	ENDPLATE, FEMALE COUPLER	WELDMENT
5	2	72239848	ENDPLATE, MALE COUPLER	WELDMENT
6	1	72229474	DATA PLATE	1Cr18Ni12Mo2
7	1	72239849	ENDPLATE, RIGHT END BUMPER	WELDMENT
8	8	72205839	SIDE SHIELD	Q235A
9	8	72205723	GAP COVER	WELDMENT
10	24	134711	RUBBER PLUG	
11	24	134712	SPECIAL WASHER	
12	2	72244902	BASEPLATE, LEFT BUMPER	WELDMENT
13	2	72244903	BASEPLATE, RIGHT BUMPER	WELDMENT
14	8	61043499	UPPER STANDARD RECEIVER	INCL. IN KIT
15	4	61043491	RECEIVER SHIM, 1.5mm	INCL. IN KIT
16	4	61043490	RECEIVER SHIM, 3mm	INCL. IN KIT
17	4	61043489	RECEIVER SHIM, 6mm	INCL. IN KIT
18	8	42904883	LOADCELL, PDX, 30mt, C3	INCL. IN KIT
19	8	42904785	PDX LOADCELL BOOT	INCL. IN KIT
20	8	61043498	LOWER STANDARD RECEIVER	INCL. IN KIT
21	8	72205217	SIDE BUMPER SHIM, 1mm	
22	8	72205218	SIDE BUMPER SHIM, 2mm	
23	8	72205219	SIDE BUMPER SHIM, 3mm	
24	4	117159	ROUND COUPLER PIN	45
25	4	72244904	BASEPLATE, NO BUMPER	
26	2	72205212	END BUMPER ASSEMBLY	
27	4	72205220	END BUMPER SHIM, 2mm	
28	4	72205221	END BUMPER SHIM, 3mm	
29	4	72205222	END BUMPER SHIM, 6mm	
30	12	72207803	LOCATING PIN	
32	2	72219691	BUMPER PLATE	FOR FOUNDATION
33	X	72219275	MAINTENANCE ACCESS	OPTIONAL
B1	4	114362	RIVET #3.2x11mm	
B2	4	72190697	BOLT M16x40mm	GB/T5783
B3	8	102651	WASHER #16mm, PLAIN	GB/T97
B4	32	72219678	ANCHOR BOLT, STD (M20x200mm)	
B5	84	72196796	BOLT M24x80mm	GB/T5782
B6	84	102656	WASHER #24mm, PLAIN	GB/T97
B7	84	102633	NUT M24	GB/T6170
B8	24	61043497	LOCATING HEX PIN	
B9	24	137994	HEX HEAD BOLT M14x40mm	GB/T5783
B10	24	102650	WASHER #14mm, PLAIN	GB/T97
B11	24	137995	WASHER #14mm, SPRING	GB/T93
B12	16	102419	HEX HEAD BOLT M10x30mm	GB/T5781
B13	16	102648	WASHER #10mm, PLAIN	GB/T97
B14	4	102589	EYE BOLT M10	GB/T825
B15	4	72205971	HEX HEAD BOLT M16x80mm	GB/T5782
B16	4	102668	WASHER #16mm, SPRING	GB/T93

NOTES:

- THE FOUNDATION LENGTH TOLERANCE IS  $-0mm +25mm$  (DIMENSION 'A'). END BUMPER STRIKE PLATES ARE REQUIRED (FLUSH WITH FOUNDATION WALL). SEE FOUNDATION DRAWING FOR STRIKE PLATE DETAIL.
- ATTACH ENDPLATES TO MODULE PANELS WITH PROVIDED HARDWARE. APPLY LOCTITE #271 TO ALL BOLTS AND TORQUE TO 400Nm. NUTS MAY ALSO BE TACK WELDED TO BOLTS TO PREVENT ANY RISK OF LOOSENING.
- APPLY LOCTITE #242 TO ALL GAP COVER BOLTS.
- CLEAN LOAD CELL CONNECTOR WITH TB202627 CONNECTOR CLEANER IF DIELECTRIC COMPOUND BECOMES CONTAMINATED. REAPPLY NEW COMPOUND TO THE CONNECTOR.

REV	CHANGE	BY	DATE	SCALE	1/50 /A1
B		HSD	2012/11/19	DATE	24.02.10
C		HJK	2014/2/12	DRN	MM APPD ZYJ

TITLE VTS200 TRUCKMATE with POWERCELL PDX  
 GENERAL LAYOUT 16m X 3.4m

UNLESS OTHERWISE SPECIFIED, ALL DIMENSIONS ARE IN MILLIMETERS, AND DIMENSIONAL TOLERANCES ARE IN ACCORDANCE TO ISO 2768 - V

METRIC SYSTEM ISO E

72239689C(T500233)

METTLER TOLEDO